

ARADA  
— DEVON —



Contemporary Living  
Putting warmth at the heart of the home

# ARADA

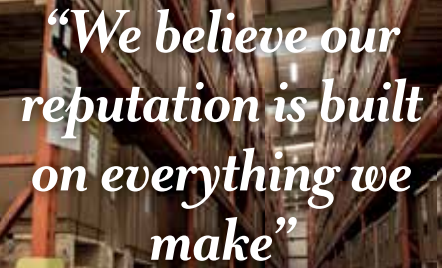
DEVON

From the tiny acorn of a small engineering firm founded in 1966 the core ideals of designing and manufacturing affordable, robust and pleasurable products for the British homeowner are still at the heart of Arada.



*“We’ve been warming homes and hearts for decades”*

Transformed into a mighty oak at our 54,000 sq.ft manufacturing base in Axminster, we design, manufacture and globally distribute not just wood and multifuel stoves, but also electric fires, gas stoves and outdoor heating appliances.



*“We believe our reputation is built on everything we make”*



An Arada stove is so much more than just a black steel box, each one starts life in the hands of our craftsmen. Raw steel is crafted with precision. Exacting joins are welded at 1500°C. Sparks fly as surfaces are perfected.

Our stoves bear the hallmarks of being designed, engineered and built in Britain by people who take pride in a job well done and that believe that ownership of an Arada stove should be a pleasure.



*“The Arada badge is your ‘built-to last’ guarantee.”*

Our stoves come with either lifetime or extra-long life stove body guarantees. We won't ask you to register first either, our guarantees come as standard\*.

**10**  
YEAR  
GUARANTEE

**LIFETIME**  
GUARANTEE

\*Stove must have been purchased from an authorised retailer and installed following regulations governing the fitting of wood burning and solid fuel appliances in the country of installation.



## Modern & Traditional Stove Styles

Our collection of stoves are designed to suit the look and style of different homes, whether it's to upgrade a classic fireplace or as a statement in a contemporary open-plan living space.

## Accessories

We also design and manufacture extras such as log stores, stands, pedestals, handles and more that let you create the perfect focal point for your room and nail the practicalities of owning a stove.



## Outdoor Living

We're not just about stoves! We've brought our heating design and expertise to the great outdoors with a range of attractive garden fire pits, chimeneas, and more.



Hoxton 7

*Achieve effortless style with this versatile Hoxton 7 kW wood burning ecodesign stove. This cylindrical body stove with its huge curved glass door will create a visual statement in any home. For added style and practicality the Hoxton can be paired with the pedestal or log store accessories, both available in short or tall configurations.*

*Hoxton has excellent fuel efficiency and low emissions meeting approval of the clearSkies scheme.*

## Features

- Ecodesign Ready and clearSkies approved
- Lifetime guarantee
- Simple, discreet air controls
- Top or rear 5" flue outlet
- Direct air compatible
- Approved for use in Smoke Control Areas
- Log store and pedestal accessories available
- Click-close door latch
- Available in other colour options

## Dimensions

Width	545 mm
Height	771 mm
Depth	425 mm
Ideal log length / diameter	250 / 100 mm



Hoxton with optional tall pedestal accessory



Hoxton with optional tall log store accessory

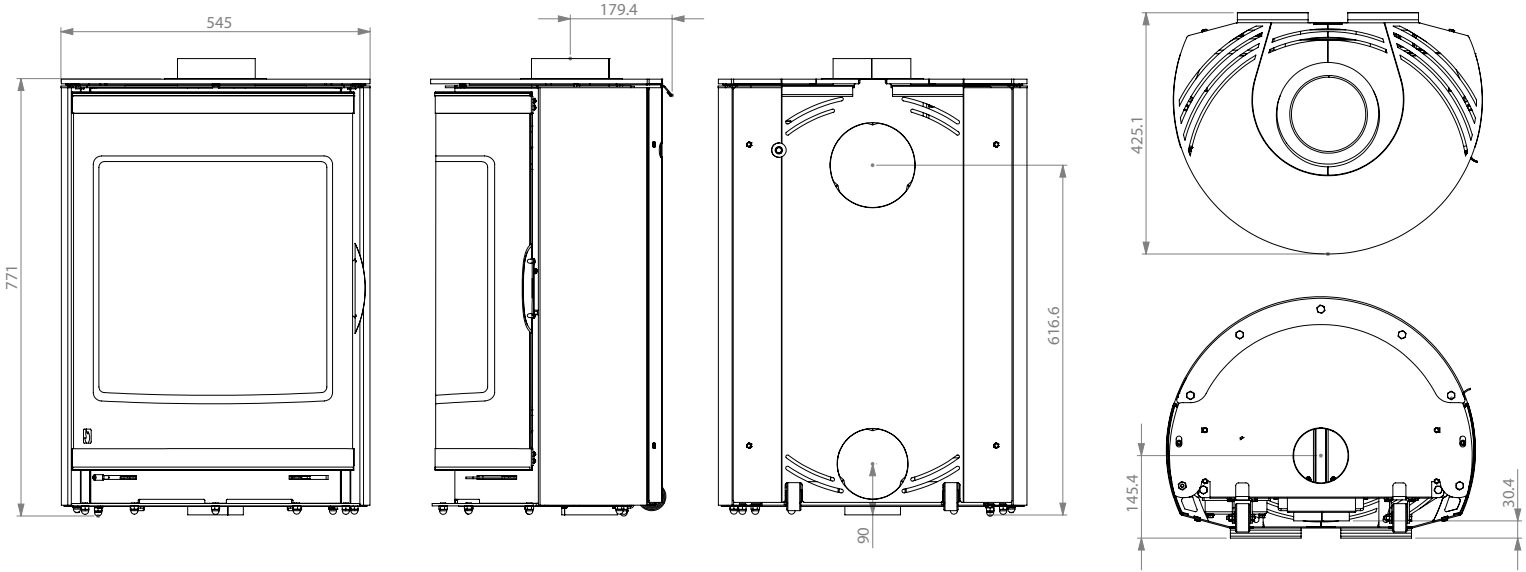


Convenient, tidy storage (short log store shown)



Curved glass door with click-close door latch

# Hoxton 7



## Dimensions

Width (across footprint)	545 mm
Height (top of canopy to base)	771 mm
Short log store height / total height	219 mm / 990 mm
Tall log store height / total height	312 mm / 1083 mm
Short pedestal height / total height	206 mm / 977 mm
Tall pedestal height / total height	312 mm / 1083 mm
Depth	425 mm
Flue Diameter	127 mm
Depth from back to centre of top flue	180 mm
Axis height of rear flue	617 mm
Ideal log length / diameter	250 mm / 100 mm

## Performance

### Wood Fuel

Energy Efficiency Class	A
Nett Efficiency	78.6 %
Nominal Output	7.3 Kw
Mean Co Emission (@13% O <sub>2</sub> )	0.1%
DIN+ particulate	34 Nmg/m <sup>3</sup>
Mean NO <sub>x</sub> Emission (@13% O <sub>2</sub> )	85 Nmg/m <sup>3</sup>
Mean OGC Emission (@13% O <sub>2</sub> )	80 Nmg/m <sup>3</sup>
Flue Gas Mass Flow	5.6 g/s
Flue Gas Temperature	313 °C
Nominal output/hr (typical fuel load)	2.04 kWh/Kg (seasoned hardwood)

## Features

Stove body type	Freestanding
Ecodesign Ready	Yes
Approved for smoke control areas	Yes
Suitable for direct air connection	Yes
Suitable for non-combustible 12mm hearth	Yes
Weight nett (unpacked kg)	113 Kg

## Minimum distance to combustibles

### With single-walled flue fitted

Rear	250 mm
Side	500 mm

### With twin-walled flue fitted

Rear	200 mm
Side	500 mm
Max hearth temperature	32 °C

## Direct air spigot location

(when viewing the rear side of the stove)

Spigot diameter	100 mm
Height from floor (standard feet)	90 mm
Axis distance from rear (from underneath)	146 mm
Lateral position	Centre

We recommend this appliance is installed with clearance of 100mm to non-combustible materials  
Installation and operating instructions for this stove are available online at [www.aradastoves.com](http://www.aradastoves.com).

# Lagom 4 Steel



Lagom 4 Steel

*The Lagom's 4kW modern cylindrical body stove with curved glass door is certain to draw admiring looks. This high efficiency, low emission wood burning stove is Ecodesign Ready*

*The Lagom features integrated lower storage areas convenient for tucking away kindling, operating tool or safety gloves.*

## Features

- Ecodesign Ready
- 10 year guarantee
- Black steel body style
- Handy integrated storage area
- Self-closing door
- Simple, discreet air controls
- Top or rear 6" flue outlet
- Direct air compatible



Lagom 4 Steel

## Dimensions

Width	528 mm
Height	974 mm
Depth	398 mm
Ideal log length	250 mm



Simple air controls



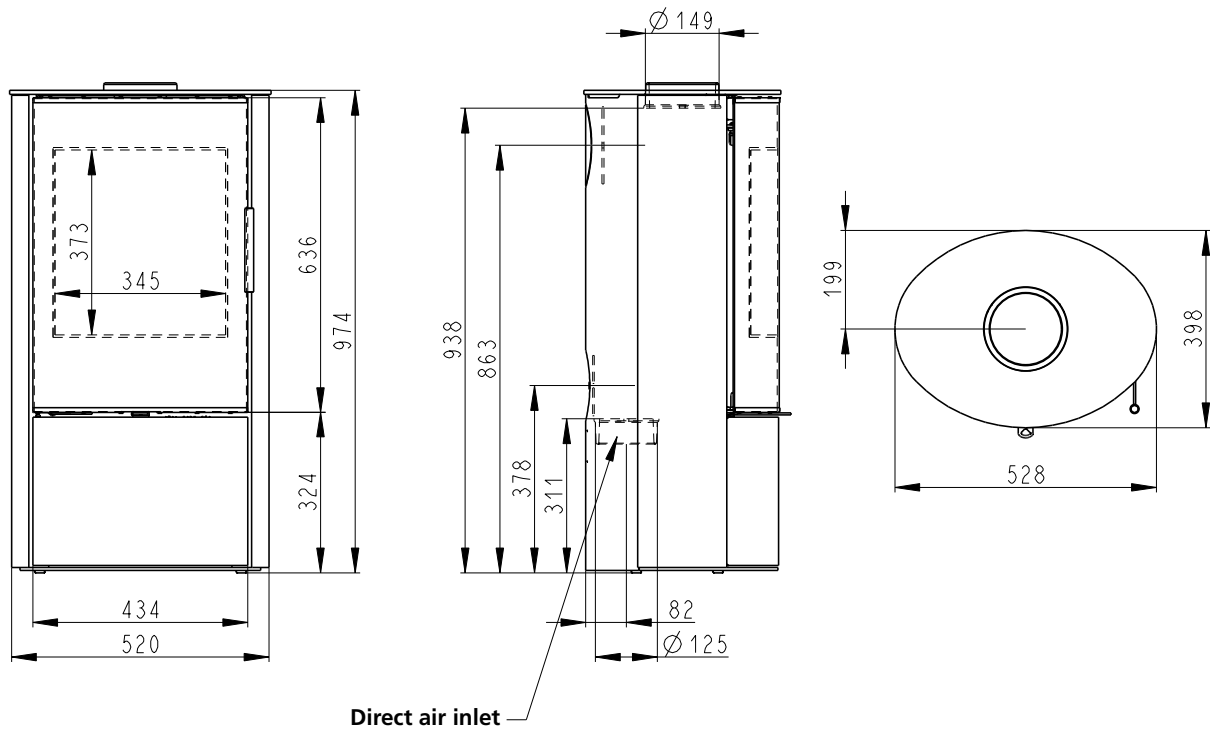
Smart storage area



Discreet ash pan access

Lagom is produced under licence by our EU partner

# Lagom 4 Steel



## Dimensions

Width	528 mm
Height	974 mm
Depth	398 mm
Flue Diameter	149 mm
Depth from back to centre of top flue	199 mm
Axis height of rear flue	863 mm
Ideal log length	250 mm

## Features

Stove body type	Freestanding
Ecodesign Ready	Yes
Approved for smoke control areas	No
Suitable for direct air connection	Yes
Suitable for non-combustible 12mm hearth	Yes
Weight gross (packed kg)	123 Kg

## Performance

	Wood Fuel
Energy Efficiency Class	A+
Nett Efficiency	80.5 %
Nominal Output	4.0 Kw
Mean Co Emission (@13% O <sub>2</sub> )	1192 mg/m <sup>3</sup>
Mean CO <sub>2</sub> Emission	9.59 %
DIN+ particulate	15 Nmg/m <sup>3</sup>
Mean NO <sub>x</sub> Emission (@13% O <sub>2</sub> )	111 Nmg/m <sup>3</sup>
Mean OGC Emission (@13% O <sub>2</sub> )	68 Nmg/m <sup>3</sup>
Flue Gas Mass Flow	4 g/s
Flue Gas Temperature	247 °C
Average wood consumption	1.2kg / hr

## Minimum distance to combustibles

With single-walled flue fitted	
Rear	100 mm
Side	100 mm
Top	1200 mm

## Direct air spigot location

(when viewing the rear side of the stove)

Spigot diameter	125 mm
Spigot orientation	Vertical
Height from floor	311 mm
Axis distance from rear	82 mm
Lateral position	Centre

We recommend this appliance is installed with clearance of 100mm to non-combustible materials  
Installation and operating instructions for this stove are available online at [www.aradastoves.com](http://www.aradastoves.com).

# Lagom 4 Ceramic



Lagom 4 Ceramic

*The Lagom's 4kW modern cylindrical body stove with curved glass door is certain to draw admiring looks. This high efficiency, low emission wood burning stove is Ecodesign Ready. The Lagom features integrated lower storage areas convenient for tucking away kindling, operating tool or safety gloves.*

## Features

- Ecodesign Ready
- 10 year guarantee
- Ceramic white body style
- Handy integrated storage area
- Self-closing door
- Simple, discreet air controls
- Top or rear 6" flue outlet
- Direct air compatible

## Dimensions

Width	528 mm
Height	996 mm
Depth	398 mm
Ideal log length	250 mm



Lagom 4 Ceramic



Simple air controls



Smart storage area

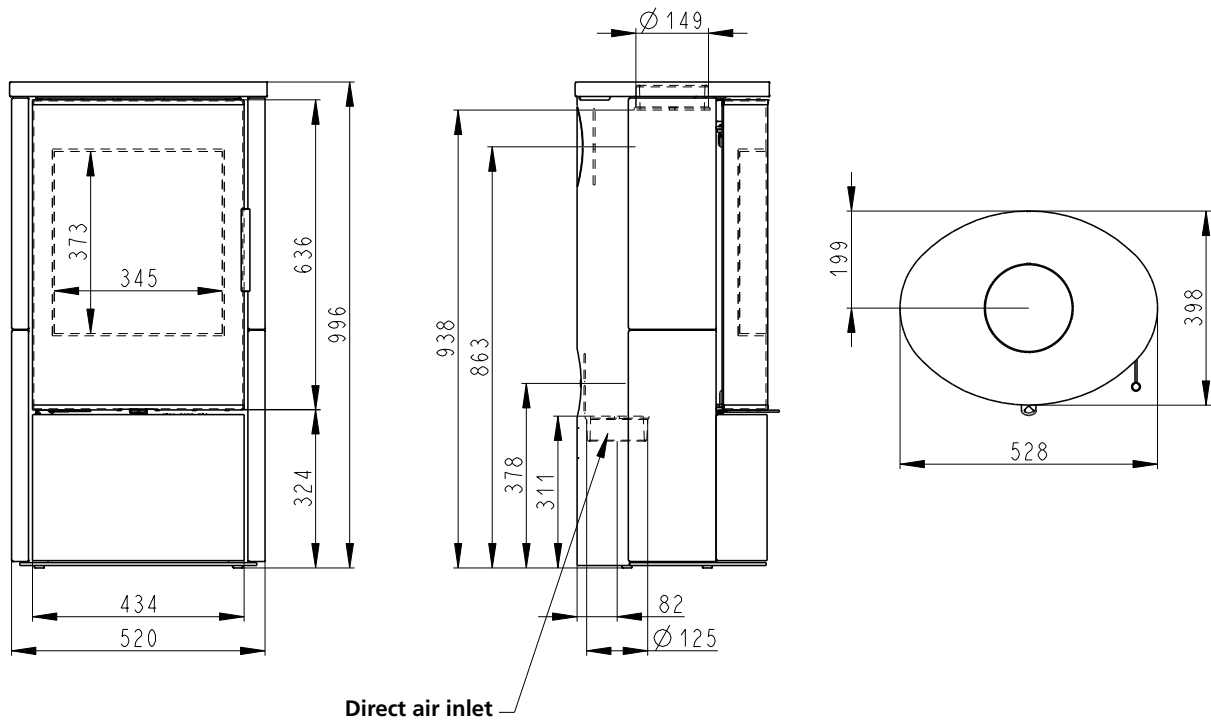


Discreet ash pan access

Lagom is produced under licence by our EU partner



# Lagom 4 Ceramic



## Dimensions

Width	528 mm
Height	996 mm
Depth	398 mm
Flue Diameter	149 mm
Depth from back to centre of top flue	199 mm
Axis height of rear flue	863 mm
Ideal log length	250 mm

## Features

Stove body type	Freestanding
Ecodesign Ready	Yes
Approved for smoke control areas	No
Suitable for direct air connection	Yes
Suitable for non-combustible 12mm hearth	Yes
Weight gross (packed kg)	123 Kg

## Performance

### Wood Fuel

Energy Efficiency Class	A+
Nett Efficiency	80.5 %
Nominal Output	4.0 Kw
Mean Co Emission (@13% O2)	1192 mg/m <sup>3</sup>
Mean CO2 Emission	9.59 %
DIN+ particulate	15 Nmg/m <sup>3</sup>
Mean NOx Emission (@13% O2)	111 Nmg/m <sup>3</sup>
Mean OGC Emission (@13% O2)	68 Nmg/m <sup>3</sup>
Flue Gas Mass Flow	4 g/s
Flue Gas Temperature	247 °C
Average wood consumption	1.2kg / hr

## Minimum distance to combustibles

### With single-walled flue fitted

Rear	100 mm
Side	100 mm
Top	1200 mm

## Direct air spigot location

(when viewing the rear side of the stove)

Spigot diameter	125 mm
Spigot orientation	Vertical
Height from floor	311 mm
Axis distance from rear	82 mm
Lateral position	Centre

We recommend this appliance is installed with clearance of 100mm to non-combustible materials  
 Installation and operating instructions for this stove are available online at [www.aradastoves.com](http://www.aradastoves.com).



i400

*The sleek design of the i Series combined with great fuel efficiency make these cassette stoves perfect for modern, energy-conscious homes. i Series stoves make the most of your fuel with their heat convection system and easy-to-use controls and a full glass door.*

### Features

- Full glass door
- Available in seven body and trim colours
- Lifetime guarantee
- Preheated airwash system for clean glass
- Stainless steel ash pan
- Burns wood logs or solid smokeless fuel
- Radiant and convected heat
- Direct air compatible
- Primary, secondary and tertiary burn increases fuel efficiency
- Two position door mechanism to assist cold lighting
- Top flue fitting 127mm (5')
- Internal flue fitting and flue damper for ease of installation
- Approved for use in Smoke Control Areas

### Dimensions

Width	405 mm
Height	558 mm
Depth	407 mm
Ideal log length	255 mm

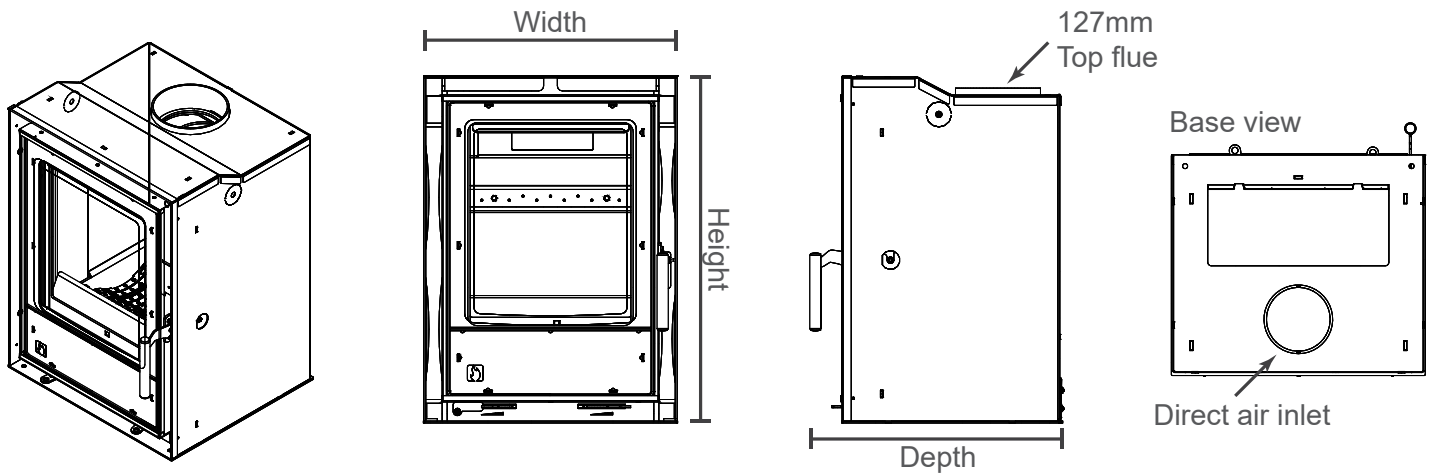
---

*Optional Extra: Safety Handle*

---



i400



## Dimensions

Width	405 mm
Height	558 mm
Depth	407 mm
Flue Diameter	127 mm
Depth into fireplace	351 mm
Width into fireplace	405 mm
Height into fireplace	558 mm
Depth from back to centre of top flue	100 mm
Ideal log length	255 mm

## Minimum distance to combustibles

	Single Walled Flue
Rear	700 mm
Side	220 mm
Max hearth temp	119 °C

## Direct air spigot location

(when viewing the underside the stove)

Left to right position	Dead centre
Distance from back of stove	90 mm

## Features

Stove body type	Cassette
Ecodesign Ready	No
Suitable for smoke control areas	Yes
Suitable for direct air connection	Yes
Suitable for non-combustible 12mm hearth	No
Flue outlet	Vertical spigot

## Performance

### Wood Fuel

Energy Efficiency Class	A
Nett Efficiency	76 %
Nominal Output	4.9 kW
Output Range	4.1 - 6.9 kW
Mean Co Emission (@13% O <sub>2</sub> )	0.19 %
DIN+ particulate	-
Mean NO <sub>x</sub> Emission (@13% O <sub>2</sub> )	-
Mean OGC Emission (@13% O <sub>2</sub> )	-
Flue Gas Mass Flow	4.6 g/s
Flue Gas Temperature	255 °C

We recommend this appliance is installed with clearance of 100mm to non-combustible materials  
 Installation and operating instructions for this stove are available online at [www.aradastoves.com](http://www.aradastoves.com).



i500

*The sleek design of the i Series combined with great fuel efficiency make these cassette stoves perfect for modern, energy-conscious homes. i Series stoves make the most of your fuel with their heat convection system and easy-to-use controls and a full glass door.*

### Features

- Full glass door
- Available in seven body and trim colours
- Lifetime guarantee
- Preheated airwash system for clean glass
- Stainless steel ash pan
- Burns wood logs or solid smokeless fuel
- Radiant and convected heat
- Direct air compatible
- Primary, secondary and tertiary burn increases fuel efficiency
- Two position door mechanism to assist cold lighting
- Top flue fitting 127mm (5')
- Internal flue fitting and flue damper for ease of installation
- Approved for use in Smoke Control Areas

### Dimensions

Width	508 mm
Height	558 mm
Depth	407 mm
Ideal log length	350 mm

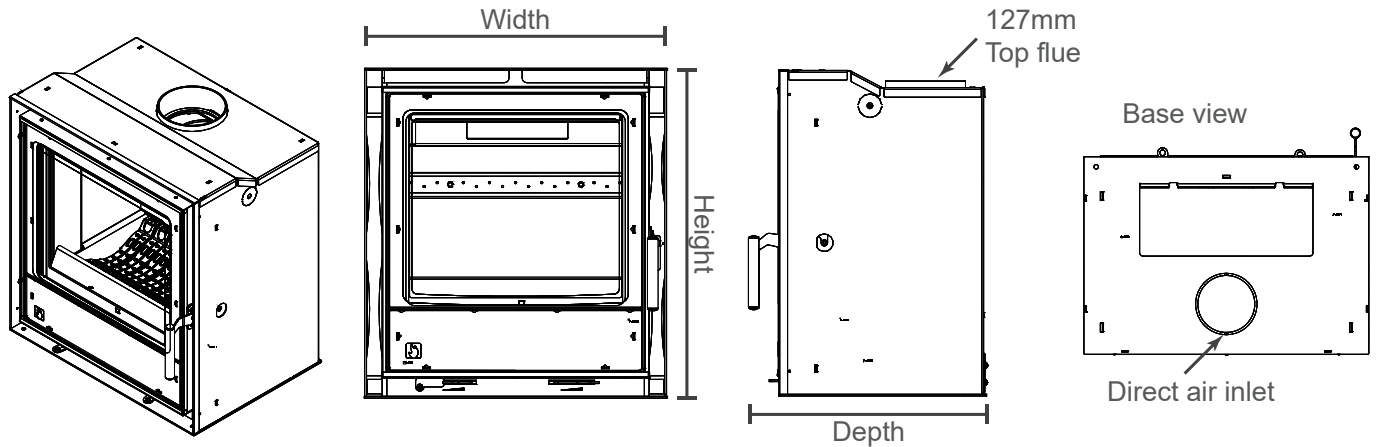
---

*Optional Extra: Safety Handle*

---



i500



## Dimensions

Width	508 mm
Height	558 mm
Depth	407 mm
Flue Diameter	127 mm
Depth into fireplace	351 mm
Width into fireplace	508 mm
Height into fireplace	556 mm
Depth from back to centre of top flue	100 mm
Ideal log length	350 mm

## Features

Stove body type	Cassette
Ecodesign Ready	No
Suitable for smoke control areas	Yes
Suitable for direct air connection	Yes
Suitable for non-combustible 12mm hearth	No
Flue outlet	Vertical spigot
Weight gross (packed kg)	75 Kg

## Minimum distance to combustibles

	Single Walled Flue
Above	550 mm
Side	150 mm
Max hearth temp	77.8 °C

## Direct air spigot location

(when viewing the underside the stove)

Left to right position	Dead centre
Distance from back of stove	90 mm

## Performance

### Wood Fuel

Energy Efficiency Class	A
Nett Efficiency	74.4 %
Nominal Output	6.4 kW
Output Range	4.9 - 7.1 kW
Mean Co Emission (@13% O <sub>2</sub> )	0.14 %
DIN+ particulate	-
Mean NO <sub>x</sub> Emission (@13% O <sub>2</sub> )	-
Mean OGC Emission (@13% O <sub>2</sub> )	-
Flue Gas Mass Flow	5.4 g/s
Flue Gas Temperature	357 °C

We recommend this appliance is installed with clearance of 100mm to non-combustible materials  
 Installation and operating instructions for this stove are available online at [www.aradastoves.com](http://www.aradastoves.com).



i600

The sleek design of the i Series combined with great fuel efficiency make these cassette stoves perfect for modern, energy-conscious homes. i Series stoves make the most of your fuel with their heat convection system and easy-to-use controls and a full glass door.

### Features

- Full glass door
- Available in various body trim and door glass colours
- Lifetime guarantee
- Preheated airwash system for clean glass
- Stainless steel ash pan
- Burns wood logs or solid smokeless fuel
- Radiant and convected heat
- Direct air compatible
- Primary, secondary and tertiary burn increases fuel efficiency
- Two position door mechanism to assist cold lighting
- Top flue fitting 127mm (5')
- Internal flue fitting and flue damper for ease of installation
- Approved for use in Smoke Control Areas

### Dimensions

Width	609 mm
Height	558 mm
Depth	407 mm
Ideal log length	480 mm

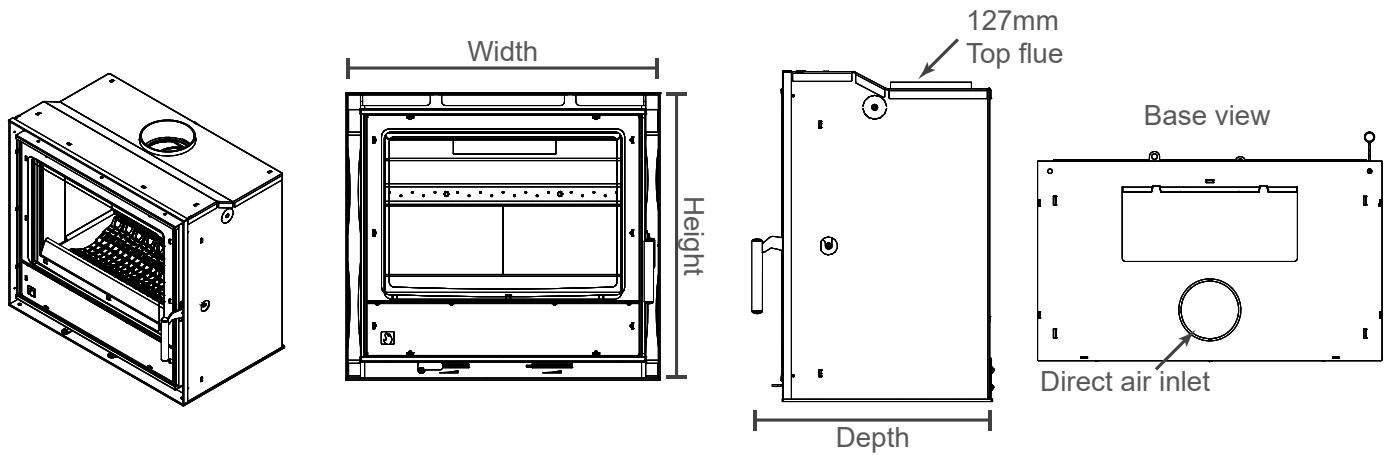
*Optional Extra: Safety Handle*



i600



Colour door glass



## Dimensions

Width	609 mm
Height	558 mm
Depth	407 mm
Flue Diameter	127 mm
Depth into fireplace	351 mm
Width into fireplace	608 mm
Height into fireplace	556 mm
Depth from back to centre of top flue	100 mm
Ideal log length	480 mm

## Features

Stove body type	Cassette
Ecodesign Ready	No
Suitable for smoke control areas	Yes
Suitable for direct air connection	Yes
Suitable for non-combustible 12mm hearth	No
Flue outlet	Vertical spigot
Weight gross (packed kg)	77.8 Kg

## Minimum distance to combustibles

	Single Walled Flue
Above	600 mm
Side	150 mm
Max hearth temp	77.8 °C

## Direct air spigot location

(when viewing the underside the stove)

Left to right position	Dead centre
Distance from back of stove	90 mm

## Performance

	Wood Fuel
Energy Efficiency Class	A
Nett Efficiency	74.4 %
Nominal Output	7.5 kW
Output Range	6.1 - 8.1 kW
Mean Co Emission (@13% O <sub>2</sub> )	0.27 %
DIN+ particulate	-
Mean NO <sub>x</sub> Emission (@13% O <sub>2</sub> )	-
Mean OGC Emission (@13% O <sub>2</sub> )	-
Flue Gas Mass Flow	5.9 g/s
Flue Gas Temperature	357 °C

We recommend this appliance is installed with clearance of 100mm to non-combustible materials  
 Installation and operating instructions for this stove are available online at [www.aradastoves.com](http://www.aradastoves.com).



i750

*The sleek design of the i Series combined with great fuel efficiency make these cassette stoves perfect for modern, energy-conscious homes. i Series stoves make the most of your fuel with their heat convection system and easy-to-use controls and a full glass door.*

#### Features

- Full glass door
- Available in seven body and trim colours
- Lifetime guarantee
- Preheated airwash system for clean glass
- Stainless steel ash pan
- Burns wood logs or solid smokeless fuel
- Radiant and convected heat
- Direct air compatible
- Primary, secondary and tertiary burn increases fuel efficiency
- Two position door mechanism to assist cold lighting
- Top flue fitting 127mm (5')
- Internal flue fitting and flue damper for ease of installation
- Approved for use in Smoke Control Areas

#### Dimensions

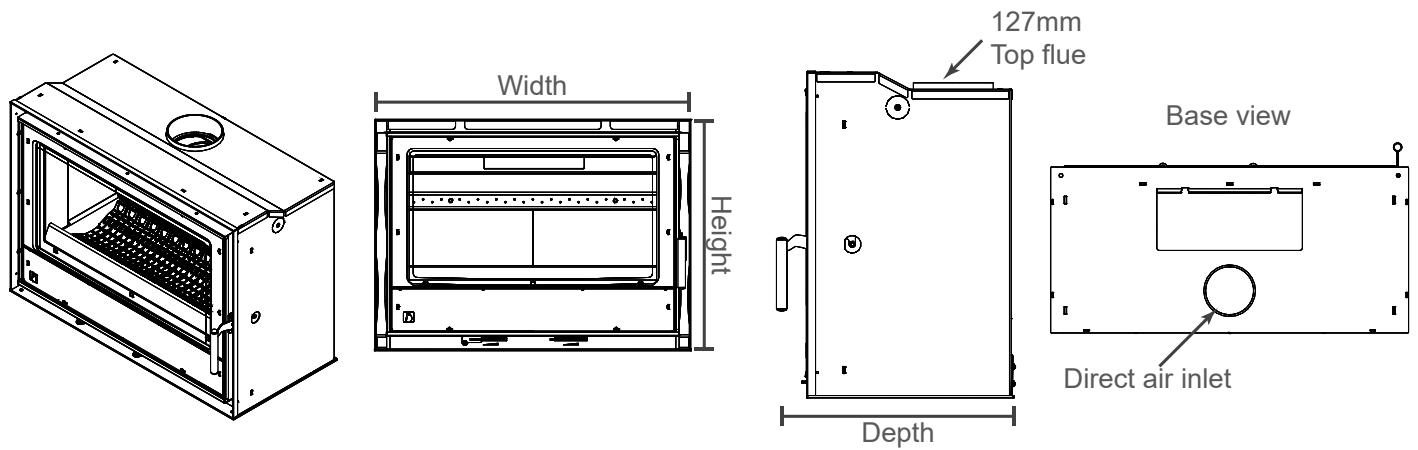
Width	762 mm
Height	558 mm
Depth	407 mm
Ideal log length	600 mm

*Optional Extra: Safety Handle*



i750





## Dimensions

Width	762 mm
Height	558 mm
Depth	407 mm
Flue Diameter	127 mm
Depth into fireplace	351 mm
Width into fireplace	760 mm
Height into fireplace	558 mm
Depth from back to centre of top flue	100 mm
Ideal log length	600 mm

## Minimum distance to combustibles

	Single Walled Flue
Rear	600 mm
Side	150 mm
Max hearth temp	67.5 °C

## Direct air spigot location

(when viewing the underside the stove)

Left to right position	Dead centre
Distance from back of stove	90 mm

## Features

Stove body type	Cassette
Ecodesign Ready	No
Suitable for smoke control areas	Yes
Suitable for direct air connection	Yes
Suitable for non-combustible 12mm hearth	No
Flue outlet	Vertical spigot

## Performance

### Wood Fuel

Energy Efficiency Class	A
Nett Efficiency	78.7 %
Nominal Output	8.9 kW
Output Range	6.8 - 9.1 kW
Mean Co Emission (@13% O <sub>2</sub> )	0.27 %
DIN+ particulate	-
Mean NO <sub>x</sub> Emission (@13% O <sub>2</sub> )	-
Mean OGC Emission (@13% O <sub>2</sub> )	-
Flue Gas Mass Flow	5.9 g/s
Flue Gas Temperature	321 °C

We recommend this appliance is installed with clearance of 100mm to non-combustible materials  
 Installation and operating instructions for this stove are available online at [www.aradastoves.com](http://www.aradastoves.com).

# DIVE INTO A WHOLE NEW WORLD OF COLOUR

A UNIQUE NEW LOOK FOR STOVES. THE BOLD  
EDIT IS A PALETTE OF FOUR EXCITING NEW  
SHADES THAT ARE EXCLUSIVE TO ARADA



## THE **BOLD** EDIT



FLAMINGO



MIAMI



RAINCOAT



PEAPOD

# ARADA

— DEVON —

Check model details online for availability of The BOLD Edit colourways

## Also available in Black

Our stoves available in black as standard, why not explore our other colour options?

### Non-smoker paint

There's no curing time with any of our paints and no unpleasant curing odour either.

### Robust and easy to keep clean

Our paints are resistant to very high temperatures and they're easy to keep clean.



### SLATE

If you're looking for a wood burner that's timeless, but with a softer aesthetic, then a grey wood burner is the perfect stove for you. Opt for grey limestone slabs for your hearth to perfectly complement the stove.

### MIST

A timeless shade with a touch of contemporary style, a stove in this shade is the perfect pairing for grey and neutral décor schemes.



### SPICE

An eye-catching statement, choose the fiery finish of Spice to add a touch of seasonal charm reminiscent of the colours of winter leaves to your space.

### CHESTNUT

With its warm bronzed finish made up of greens and browns, a stove in Chestnut is a nod to nature and is right at home with the rustic shades of firewood.

### SANDCASTLE

This soft-off white shade, an ideal colourway for a calm, neutral room scheme. The subtle, warm undertones of this shade invite you to relax and curl up in front of the fire.

### ATLANTIC

This sophisticated blue shade is eye-catching. Paired with crisp white walls, complementary shades of pastel pink or warm terracotta for an interior space that is as cosy as it is stylish.