



# **Solution (S4)**

# **Outside Air Kit**

# **Fitting Guide**

Optional accessory instructions



Do NOT use in fully sealed dwellings, this product is not room sealed.

EN13240:2011 +A2:2004

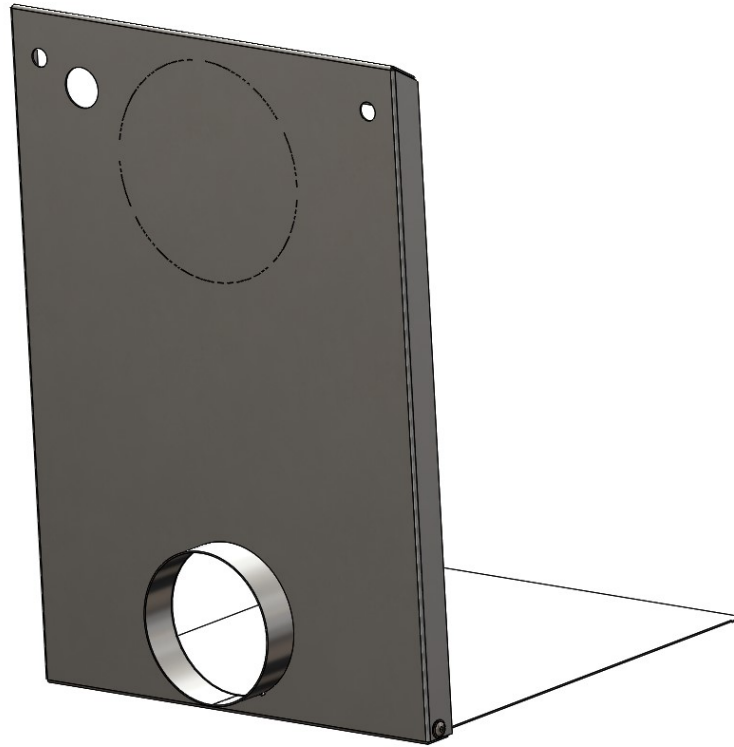
---

**BK750** Rev 02

ISSUE DATE : 28/01/2021



## 1. Contents Of Kit :



1 no. Outside Air kit (Stainless Steel—Unpainted)

## 2. Warnings



**IMPORTANT**—Please ensure the appliance is cold and unlit before commencing fitting this accessory kit.

Please refer to the main instruction booklet, relevant to your stove, for guidance on the installation and operation of the appliance.

Arada Ltd will not be responsible for any consequential or incidental loss or injury however caused.

Please note, this accessory kit can only be fitted **prior** to the appliance (stove) being installed and connected to the flue system, within the property.

When handling the components of the kit, it is recommended to wear suitable gloves to prevent hand injuries.

### 3. Assembling Outside air kit :

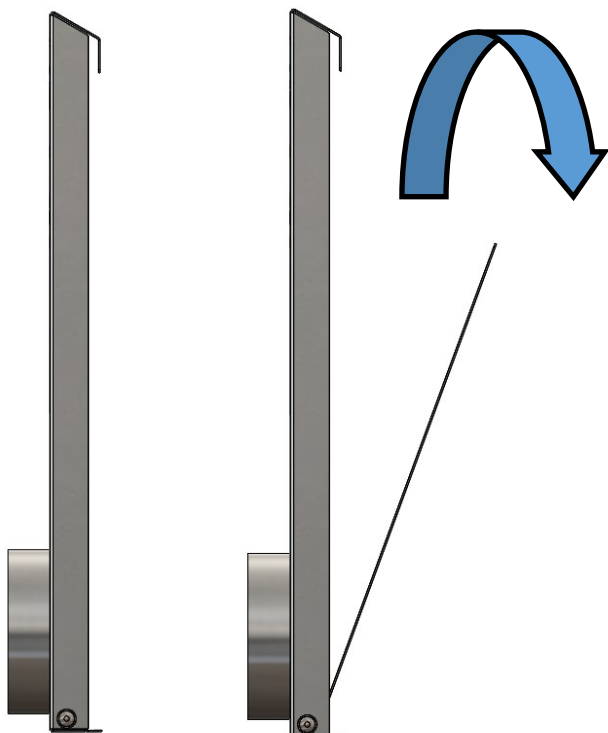
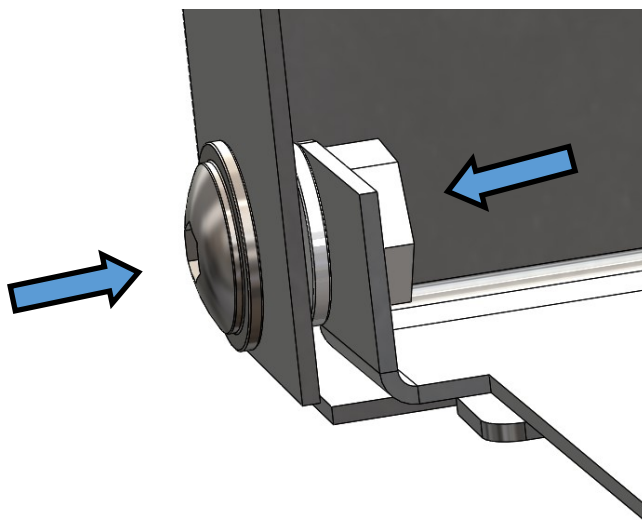


Figure 1. Folded Outside air kit

**Step 1:** Unfold outside air kit



**Step 2:** Tighten the bolt and nut on both sides

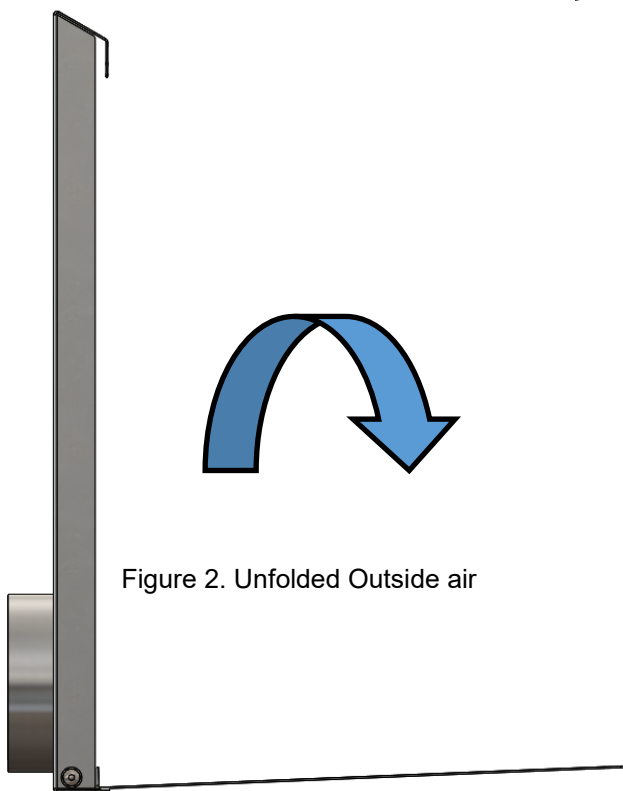


Figure 2. Unfolded Outside air

## 4. Fitting Procedure

Before starting this process, please ensure that the stove is cold and unlit

**Step 1 :** Working on the rear of the appliance, remove the 2x screws, as indicated in figure 1.

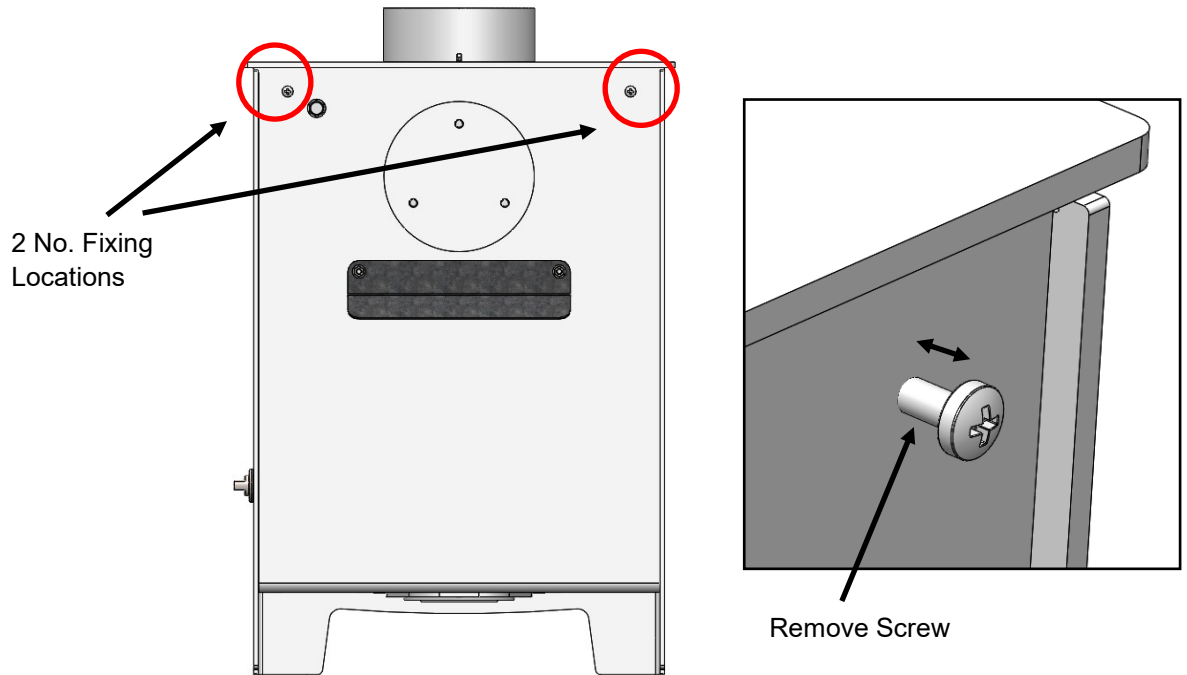


Figure 3. Fixing Locations

**Step 2 :** Lower & position the heat shield onto the stove and put the screws through the holes. (See Fig. 3 & 4)

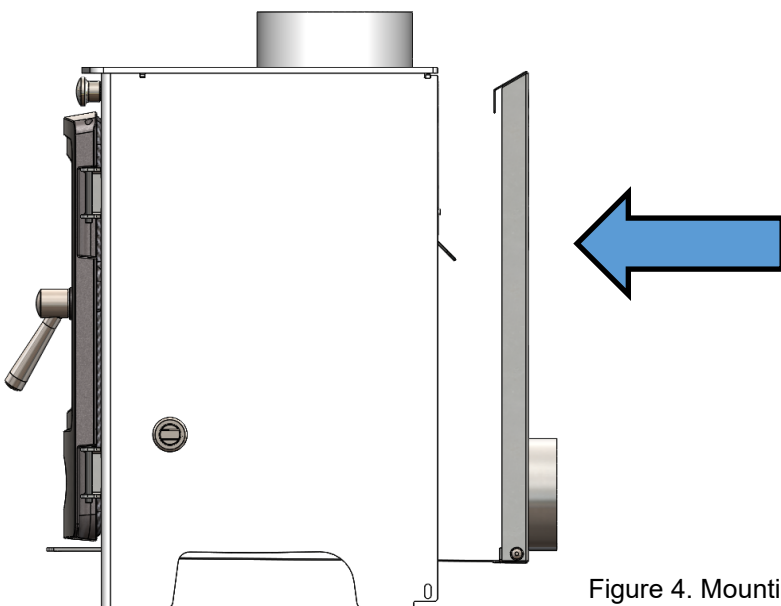


Figure 4. Mounting the outside air

**Step 3 :** Ensure that the heat shield is fully located onto the slot cut out within the heat shield (Both Sides - Left & Right).

**Step 4 :** Insert and tighten the 2x mounting screws, via the circular cut out in the face of the heat shield. Use a screwdriver to tighten the screws. Thus clamping the outside air kit to the rear of the appliance.

**Step 5 :** With the outside air (See Fig. 6), please observe the revised distance to combustible materials, as stated in the instruction guide (BK 738).

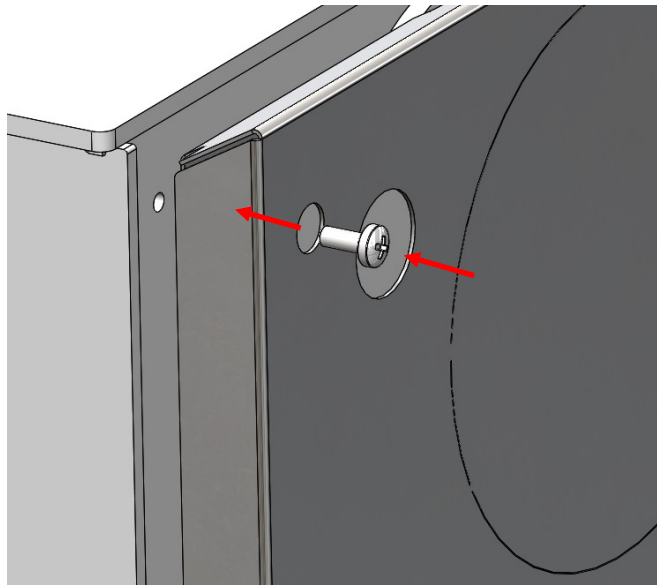


Figure 5. Outside air Location

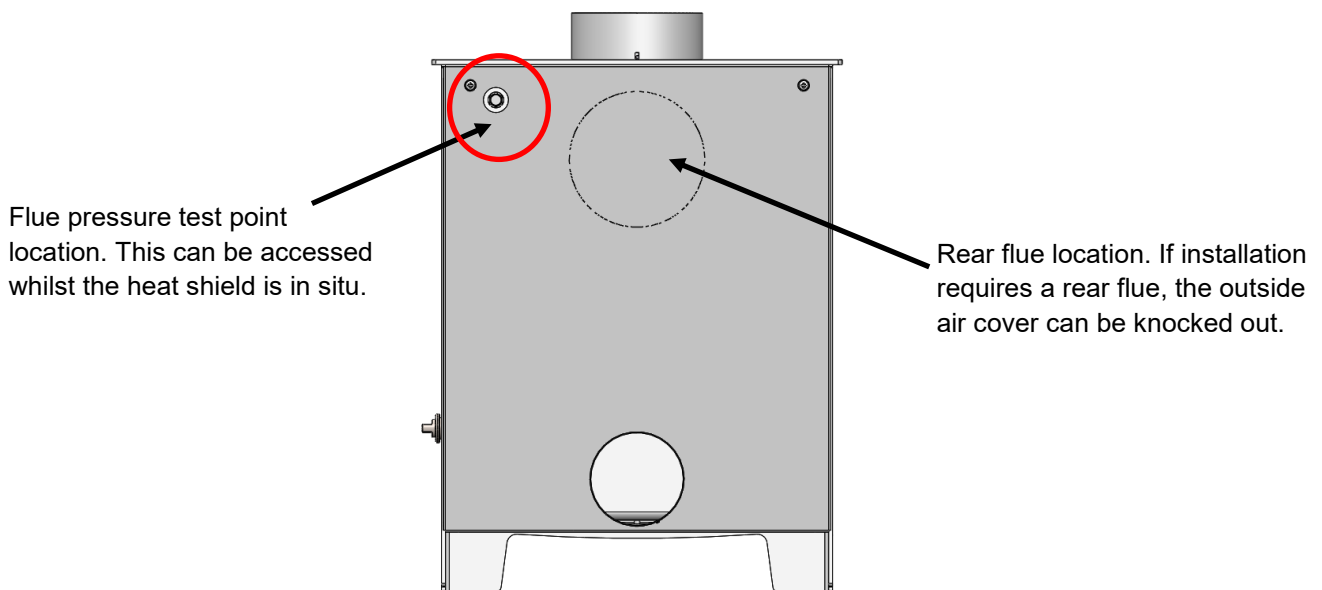


Figure 6. Outside Air Layout