

INSETS

INSTRUCTION MANUAL

Amathus
Brooklyn
Colorado
Detroit
Ev4i
Ev4i4

Ev6i
Ev6i4
Iowa
Kansas
Kepler 22
Memphis

Nebraska
Phantom
Staton
Topaz

CONTENTS

EU Directives and UKCA Standards.....	3
Important Information and Health & Safety.....	4
Components for Insets.....	5
Operating Instructions.....	6
E-Touch App Instructions.....	7
Manual Operation and Remote Control.....	12
Installation.....	13
Model Dimensions.....	14
Installation Process.....	16
Installation (Slide in Models).....	17
Applies to: Amathus / Brooklyn / Colorado / Detroit / Ev4i / Ev4i4 / Ev6i / Ev6i4 / Iowa / Kepler 22 / Nebraska / Phantom / Staton / Topaz	
Installation (Tie Back Models).....	19
Applies to: Kansas / Memphis	
Installation (With Spacer).....	21
Applies to: Amathus / Brooklyn / Colorado / Detroit / Iowa Kepler 22 / Phantom / Staton	
Installation (Wall Mounted).....	23
Applies to: Ev4i4 / Ev6i4 / Topaz	
Removing the Glass.....	25
Fuel Sets.....	27
Troubleshooting.....	31

EU DIRECTIVES

All Evonic Fires products meet the requirements of the EC Directives. These directives have been met by compliance with the following standards:

EU 2011-65/EU 2015/863 Restriction of Hazardous Substances.

References to the relevant designated standards used:

EN 55014-1:2006 + A1:2009 + A2:2011 Electromagnetic Compatibility.

EN 55014-2:2015 Electromagnetic Compatibility.

EN 61000-3-2:2014 Electromagnetic Compatibility (EMC). Limits. Limits for Harmonic Current Emissions.

EN 61000-3-3:2013 Electromagnetic Compatibility (EMC). Limits. Limitation of Voltage Changes, Voltage Fluctuations and Flicker.

EN 60335-1:2012 + A11:2014 Household and similar electrical appliances - Safety

EN 60335-2-30:2009+A11:2012 Household and similar electrical appliances. Safety. Particular requirements for room heaters

UKCA STANDARDS

All Evonic Fires products are in conformity with the relevant UK Statutory Instruments (and their amendments).

2016 No. 1101 The Electrical Equipment (Safety) Regulations 2016

2016 No. 1091 The Electromagnetic Compatibility Regulations 2016

2012 No. 3032 The Restriction Of Use Of Certain Hazardous Substances In Electrical And Electronic Equipment Regulations 2012



IMPORTANT INFORMATION AND HEALTH & SAFETY

- Read all of the instructions carefully before using the appliance, only use this appliance as described in this manual. Any other use not recommended by the manufacturer may cause injury to persons, or damage to the appliance.
- Remove all packaging and dispose of it at an appropriate recycling facility.
- When transporting or storing the appliance and power lead, keep in a dry place, away from excessive vibration and store so as to avoid damage.
- Do not install this appliance immediately in front of a fixed socket outlet.
- Do not install this appliance in the immediate surroundings of a bath, shower, swimming pool or any other area where the appliance could come into contact with water or humidity, e.g. a bathroom.
- Do not use in areas where gasoline, paint, or any flammable liquids are used or stored.
- This appliance is only suitable for indoor use, do not use outdoors.
- Do not cover the appliance, or let the air inlet/outlet to be obstructed in any way as it may overheat.
- Keep the power lead away from hot surfaces and hot conditions, including the heater outlet. Do not route the power lead in front of the appliance, or under any carpets or rugs.
- Always use a certified electrician should new circuits or outlets be required, and always use properly grounded, fused and polarized outlets.
- Where the power lead passes through any masonry wall, stone surround etc. ensure that suitable rubber bushes are fitted at any possible wear points.
- If the power lead is damaged do not use the appliance until it has been replaced.
- Do not use any external switching device, timers, or extension leads. Do not connect the appliance to a circuit that is frequently switched on and off by the utility.
- In the event of a malfunction, switch off the appliance, and disconnect it from the mains power supply. Have the appliance inspected by a certified electrician before reusing.
- Do not use the appliance if it is damaged. In the event of any damage to the appliance, please contact the retailer from whom the appliance was purchased.
- Any repairs must only be performed by a certified electrician.
- This appliance can be used by children aged from 8 years and above, and persons with reduced physical, sensory or mental capabilities or lack of experience and knowledge if they have been given supervision or instruction concerning the use of the appliance in a safe way and understand the hazards involved. Children under the age of 3 years should be kept away from the appliance unless supervised.
- Disconnect from the power supply before performing any cleaning, maintenance or relocation of the unit. Do not use steam cleaners, or aerosols near the appliance.
- Do not burn wood or anything else in this appliance.
- Do not strike the glass.
- Do not drill or screw any new holes into the appliance.

COMPONENTS FOR INSETS

Name	Fuel Sets	Suction Lifters	Remote Control (Optional)	Spacer (Optional)	Frame	Installation Kit					Electrical Lead	Inset Instruction Manual
						Infill Plate	Magnets	Screw Eye	Cable	Barrel Clamp		
Amathus	Logs / Pebbles White/Beach / Log & Beach Pebbles / Coals		YES	75mm	1 x		4 x				1 x	1 x
Brooklyn	Logs / Pebbles White/Beach / Log & Beach Pebbles / Coals		YES	60mm	1 x		4 x				1 x	1 x
Colorado	Logs / Pebbles White/Beach / Log & Beach Pebbles / Coals	2 x	YES	75mm	1 x		4 x				1 x	1 x
Detroit	Logs / Pebbles White/Beach / Log & Beach Pebbles / Coals	2 x	YES	75mm	1 x						1 x	1 x
Ev4i	Logs / Pebbles White/Beach / Log & Beach Pebbles / Coals	2 x	YES		1 x		4 x				1 x	1 x
Ev4i4	Logs / Pebbles White/Beach / Log & Beach Pebbles / Coals	2 x	YES		1 x		4 x				1 x	1 x
Ev6i	Logs / Pebbles White/Beach / Log & Beach Pebbles / Coals	2 x	YES		1 x		4 x				1 x	1 x
Ev6i4	Logs / Pebbles White/Beach / Log & Beach Pebbles / Coals	2 x	YES		1 x		4 x				1 x	1 x
Iowa	Logs / Pebbles White/Beach / Log & Beach Pebbles / Coals		YES		1 x		4 x				1 x	1 x
Kansas	Logs / Pebbles White/Beach / Log & Beach Pebbles / Coals		YES		1 x			1 x	1 x	2 x	1 x	1 x
Kepler 22	Logs / Pebbles White/Beach / Log & Beach Pebbles / Coals	2 x	YES	75mm	1 x		4 x				1 x	1 x
Memphis	Logs / Pebbles White/Beach / Log & Beach Pebbles / Coals	2 x	YES		1 x	1 x infill & 2 x screws		1 x	1 x	2 x	1 x	1 x
Nebraska	Logs / Pebbles White/Beach / Log & Beach Pebbles / Coals	2 x	YES		1 x		4 x				1 x	1 x
Phantom	Logs / Pebbles White/Beach / Log & Beach Pebbles / Coals		YES	75mm	1 x		4 x				1 x	1 x
Staton	Logs / Pebbles White/Beach / Log & Beach Pebbles / Coals		YES	75mm	1 x		4 x				1 x	1 x
Topaz	Logs / Pebbles White/Beach / Log & Beach Pebbles / Coals		YES		1 x		4 x				1 x	1 x

OPERATING INSTRUCTIONS

E-Touch App

Manual

Remote Control

E-TOUCH APP INSTRUCTIONS

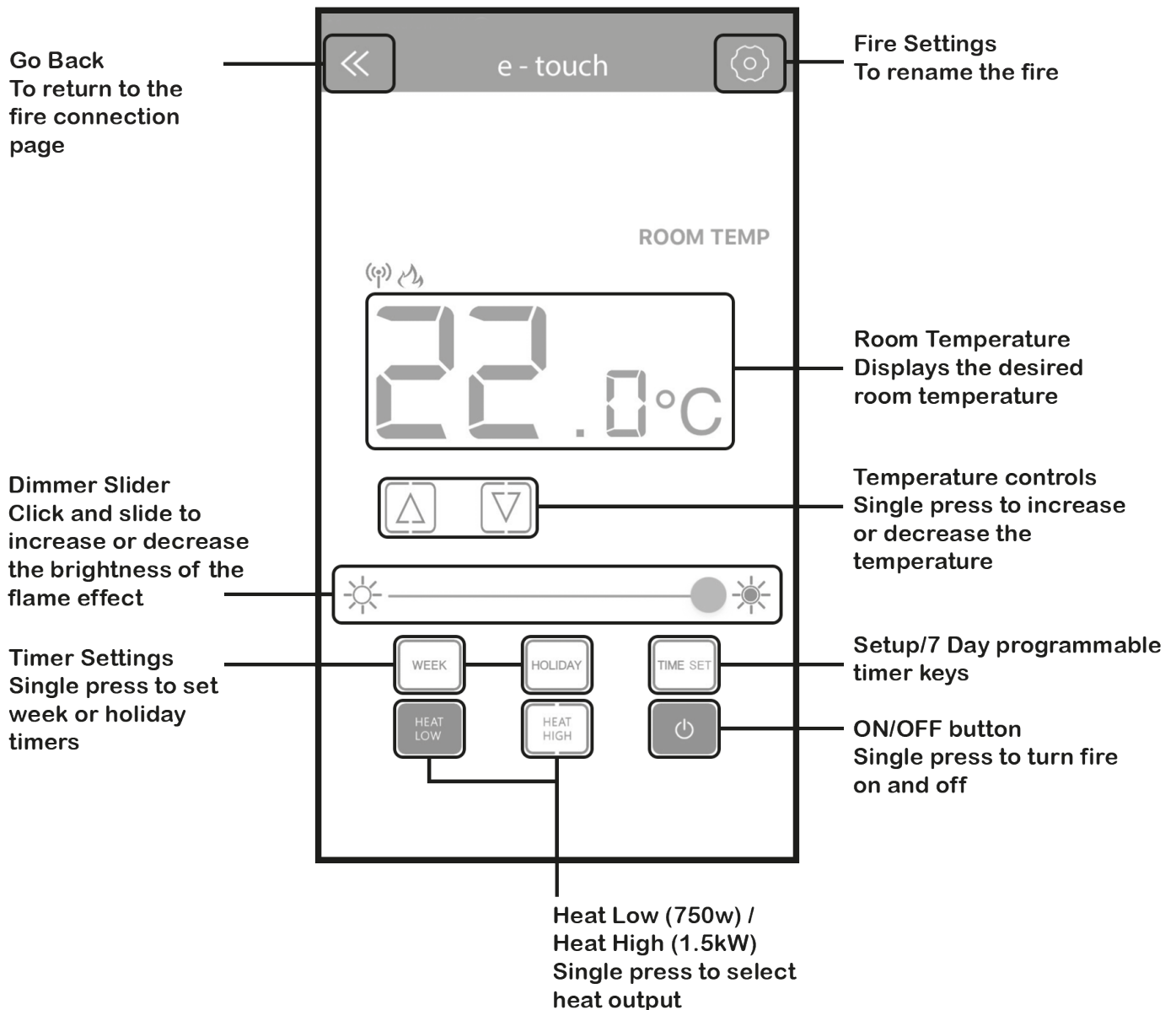
The E-Touch app is a Bluetooth app that can be used with both smart phones and tablet devices, and is available on both the Apple App Store and Google Play Store. Please note that the e-touch app can only be connected to one phone at a time.

Before getting started with the app, connect the fire to the mains power, and push the rocker switch to the ON position.



To begin using the app you first need to pair your appliance to the app, we have created a video on our Youtube channel to guide you through the process of pairing your appliance to your smart phone or tablet. Scan the QR code to be taken to the video and get started.

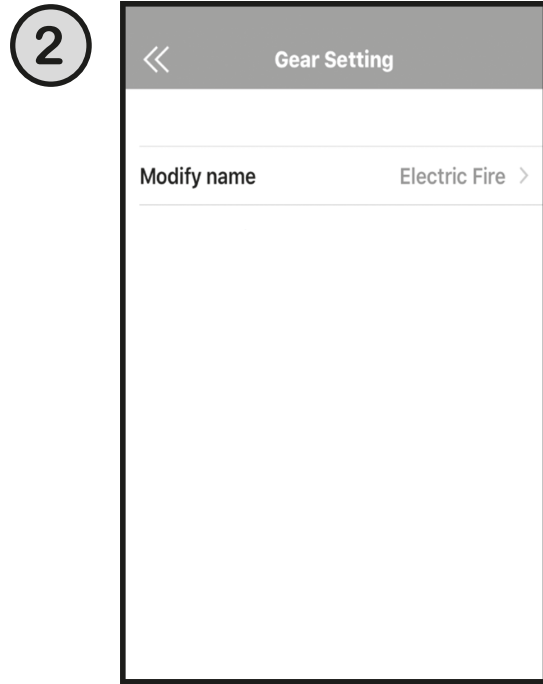
Alternatively, search the Apple or Google store for the e-touch app and download it to your device. Ensure that your device has bluetooth switched on, press the plus icon and then the search icon. Whilst the app is searching hold it close to the lower right hand corner of the appliance. Once your appliance is found, select it, and you'll be taken to the below Home Page. Your appliance is now paired to the app.



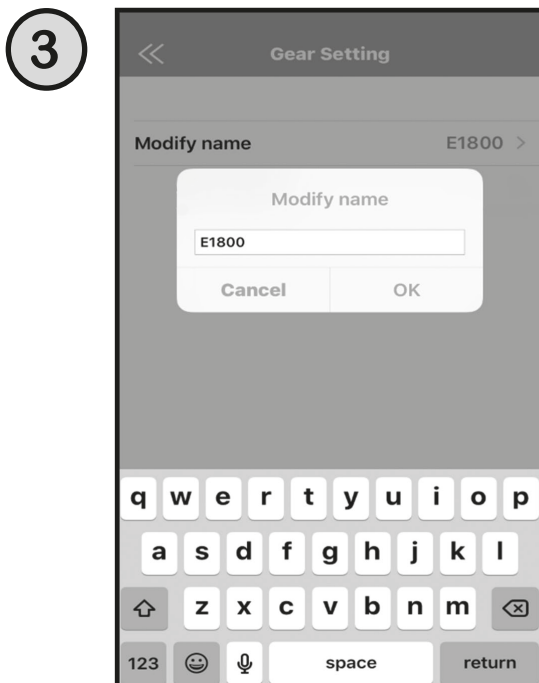
NAMING YOUR FIRE



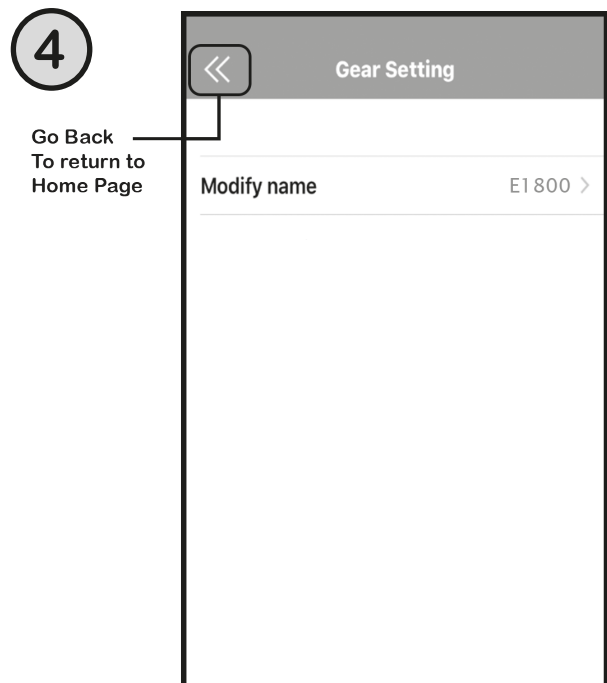
Single press on the Gear Symbol in the top right of the Home Page.



Single press on the Modify Name option. It is possible to name multiple fires if more than one are in the same location.



You can now type in and rename your fire.

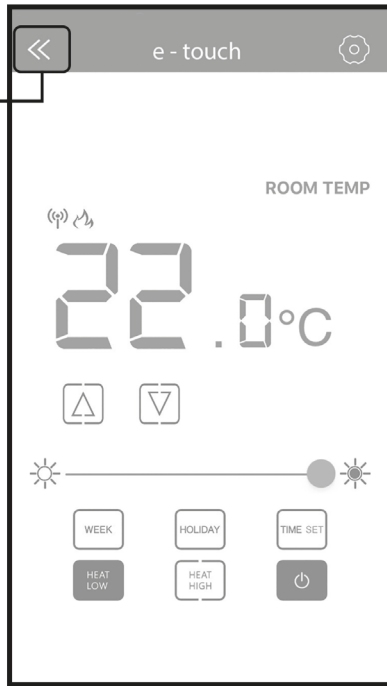


To return to the Home Page, single press the Go Back button in the top left corner.

CHANGING LANGUAGE & UNITS

1

Go Back
To return to the
fire connection
page



Single press the Go Back button in the top left of the Home Page.

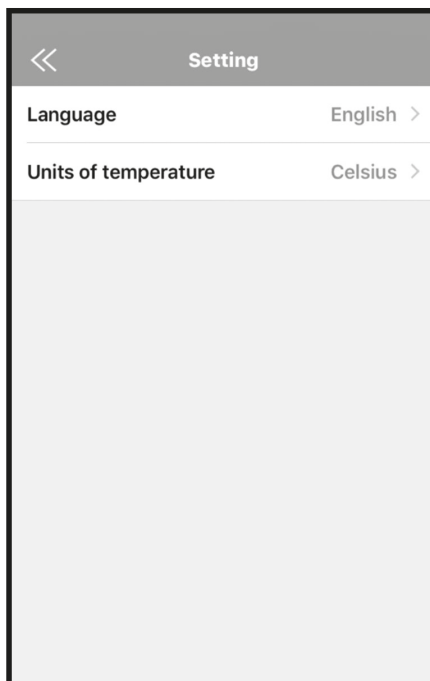
2

Setting



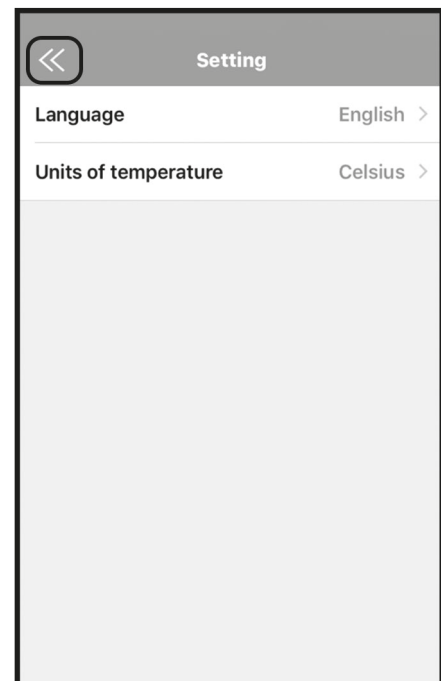
Single press on the Setting button.

3



You can now choose from English, Dutch, Italian, German, Spanish, Arabic, and Norwegian. You can also change the temperature unit between Celsius and Fahrenheit.

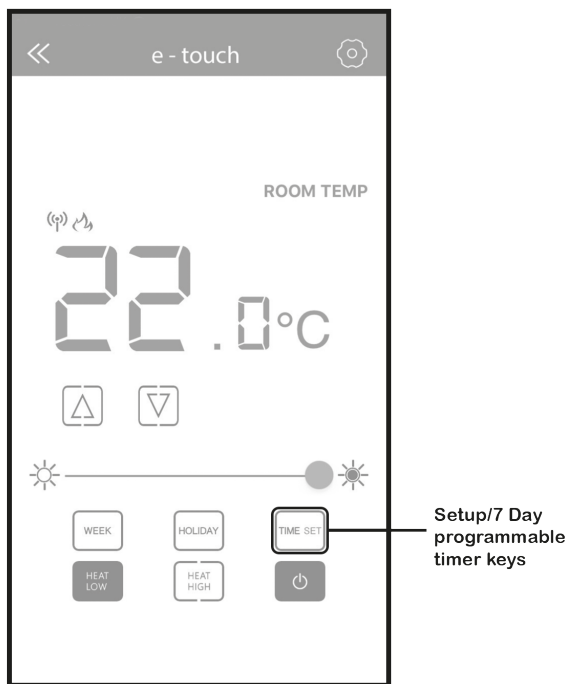
4



To return to the Fire Connection Page, single press the Go Back button in the top left corner.

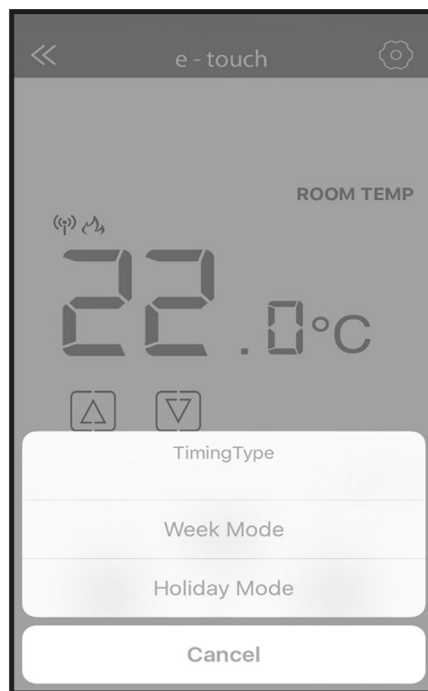
PROGRAMMING THE TIMER

1



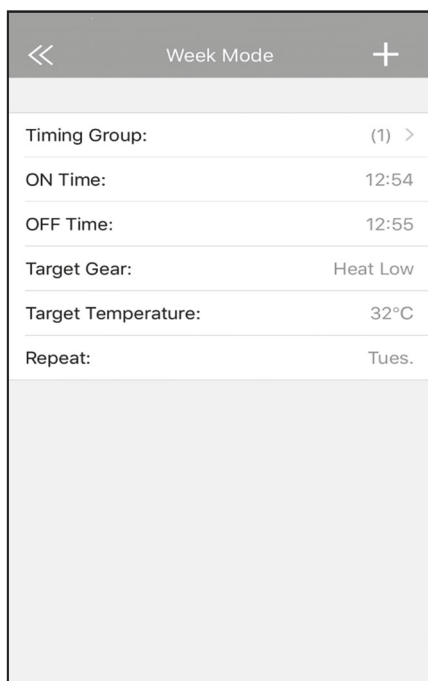
Single press the Time Set button on the Home Page to begin programming the Timer.

2



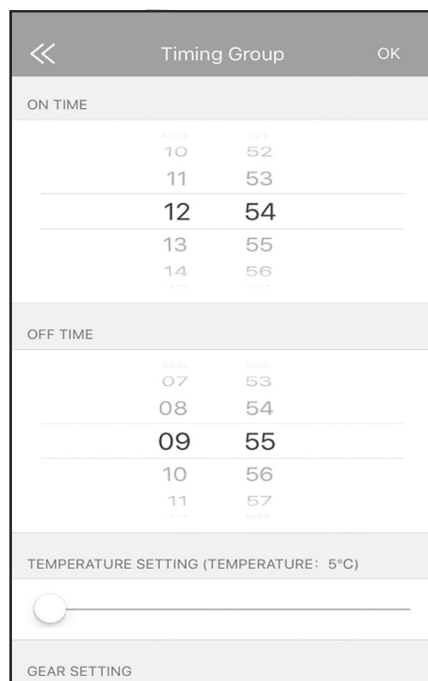
There are two types of timer you can programme. A Week/Common Mode and a Holiday Mode. Single press Week/Common Mode to programme it.

3



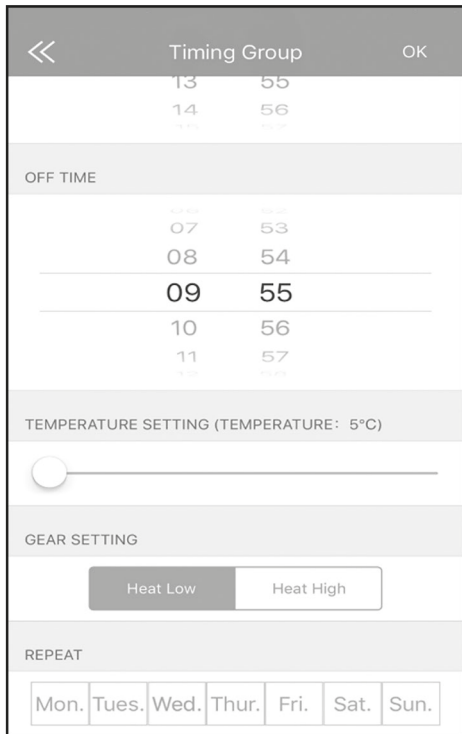
Single press Timing Group to start programming the timer.

4



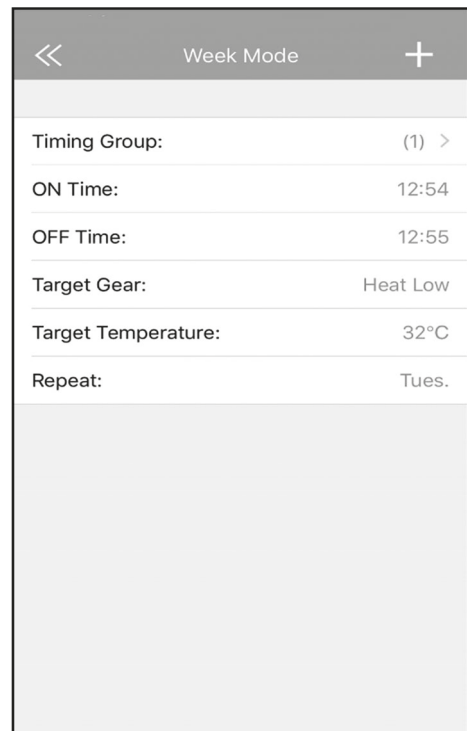
Select the time you want the fire to come on by scrolling the numbers. Then select the time you want the fire to turn off. Slide the temperature setting to the temperature you want the fire to reach.

5



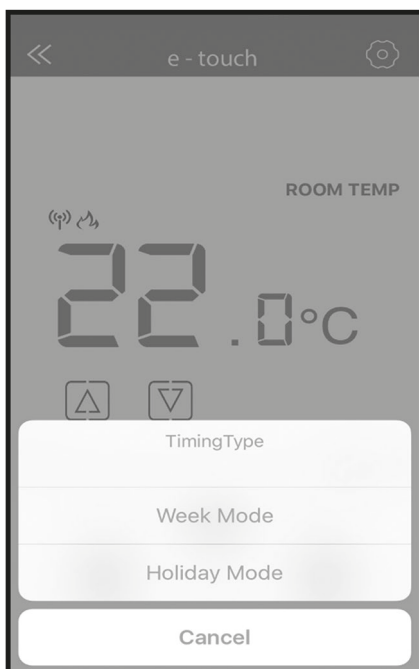
Scroll down the page to select either Heat Low, or Heat High. Then select the days you want the timer to apply to. To confirm, click OK, or Back to cancel.

6



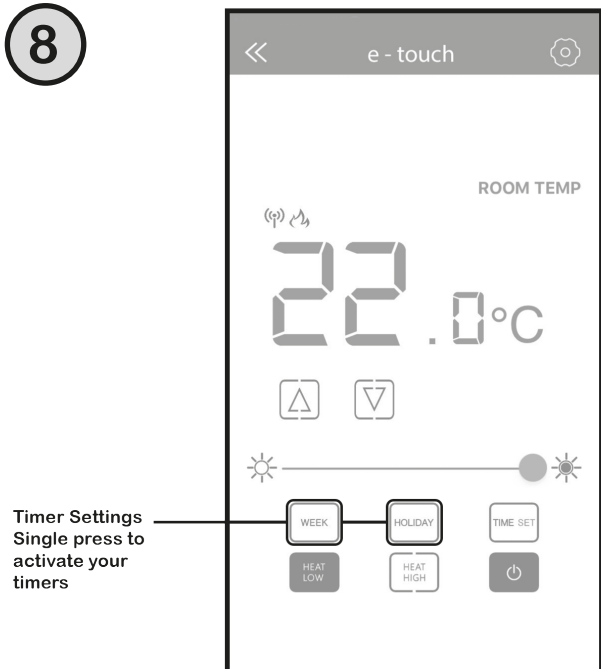
The Week/Common Mode Page will now display your chosen settings. To add another Week/Common timer, single press the plus button in the top right and repeat the process. Then click Back to return to the Home Page.

7



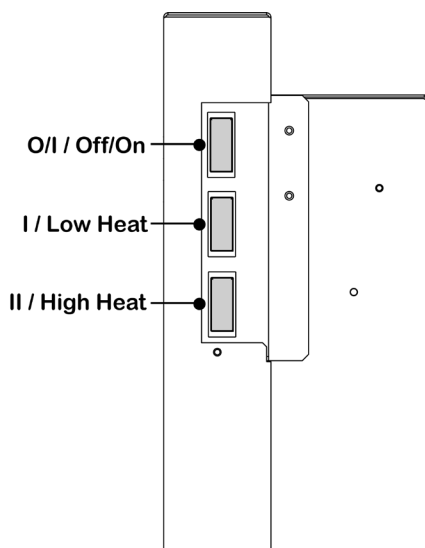
To set a Holiday timer, single press the Holiday Mode option on the Timing Type page shown in Step 2. However, Holiday Mode doesn't have a repeat day function. Then return to the Home Page.

8



Single press either Week/Common or Holiday to activate the timer/s you have set.

MANUAL OPERATION



You can operate your appliance using the manual rocker switches located on the right hand side.

Please note there is no manual dimmer control.

- To turn on the appliance and activate the flame effect, press the top rocker switch to the I/On position.

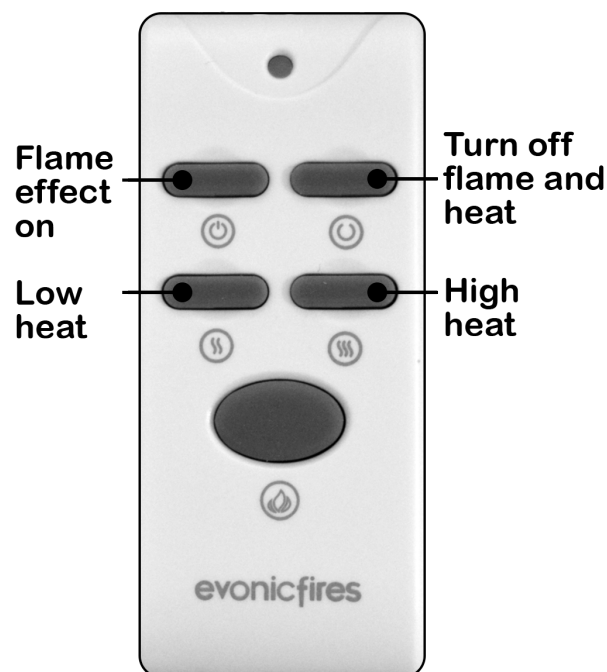
- To activate the heater at Low Heat, press the middle rocker switch to the I position. To deactivate, switch the rocker switch back.

- To activate the heater at High Heat, press the bottom rocker switch to the II position. To deactivate, switch the rocker switch back.

- To turn off the heater and flame effect, press the top rocker switch to the O/Off position.

- If your appliance is fitted with a thermostat you can adjust the heat output by turning left to decrease the heat, and right to increase the heat.

REMOTE CONTROL OPERATION



You can operate your appliance using the optional remote control. Ensure that the rocker switch on the appliance is in the I/On position, then you can use the remote to control the appliance.

- To turn on the flame effect, press the top left button.

- To activate the heater at Low Heat, press the bottom left button.

- To activate the heater at High Heat, press the bottom right button.

- To turn off the heater and flame effect, press the top right button.

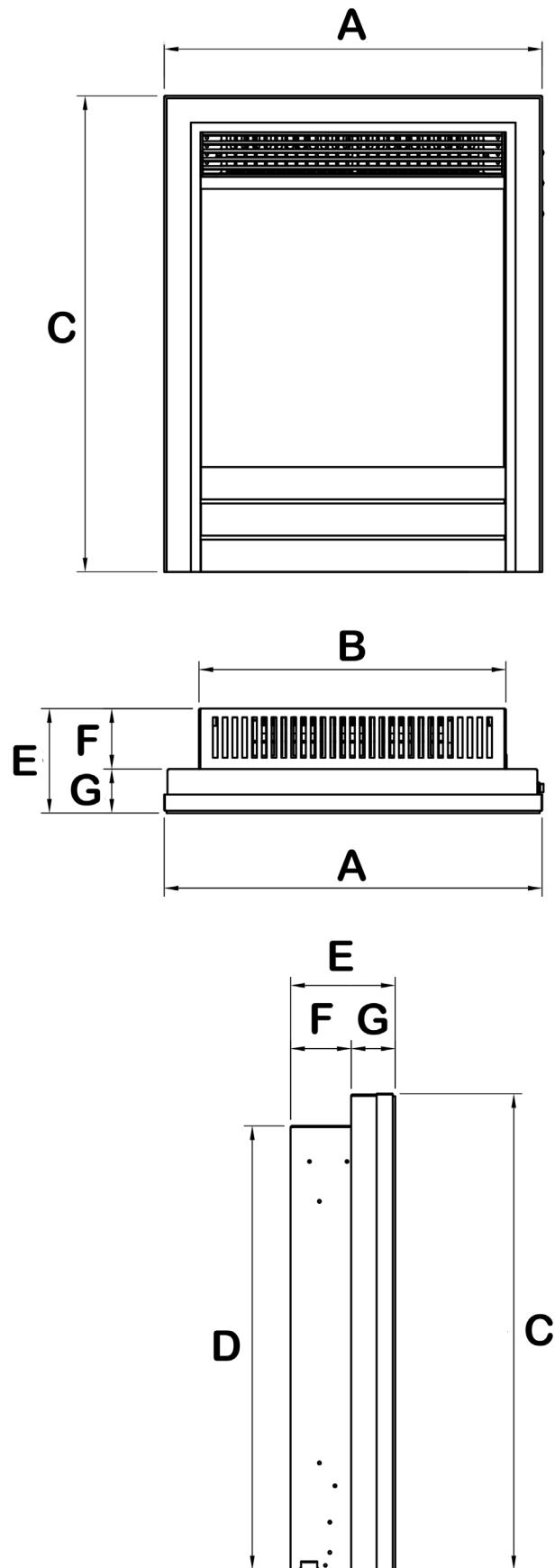
- To activate the dimmer function, press the large bottom button once to start, and then again to stop at the desired dimmer setting.

- To turn off the appliance, press the rocker switch on the appliance to the O/Off position.

INSTALLATION

MODEL DIMENSIONS

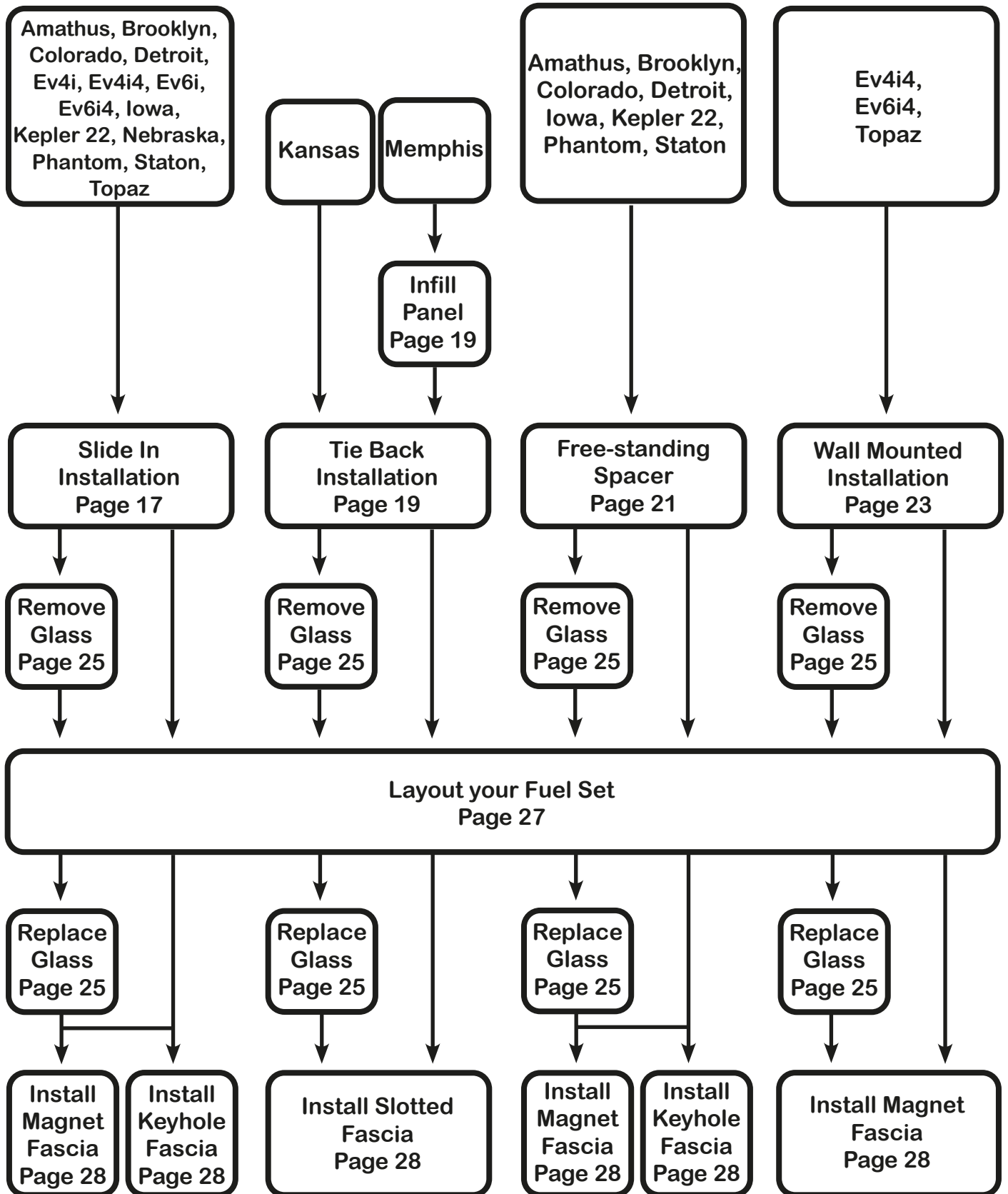
The model shown in these drawings is a Colorado for illustrative purposes, please refer to the table for your specific models size.



MODEL DIMENSIONS

Model	Width		Height		Depth		
	Overall (A)	Insert (B)	Overall (C)	Insert (D)	Overall (E)	Insert (F)	Frame (G)
Amathus	506mm	382mm	602mm	550mm	105mm	75mm	30mm
Brooklyn	490mm	382mm	605mm	550mm	130mm	60mm	70mm
Colorado	460mm	382mm	605mm	550mm	130mm	75mm	55mm
Detroit	460mm	382mm	590mm	550mm	180mm	75mm	105mm
Ev4i	480mm	382mm	590mm	550mm	145mm	75mm	70mm
Ev4i4	480mm	382mm	620mm	550mm	145mm	75mm	70mm
Ev6i	625mm	382mm	590mm	550mm	145mm	75mm	70mm
Ev6i4	625mm	382mm	645mm	550mm	145mm	75mm	70mm
Iowa	490mm	382mm	605mm	550mm	190mm	60mm	130mm
Kansas	515mm	382mm	615mm	550mm	200mm	75mm	125mm
Kepler 22	645mm	382mm	605mm	550mm	135mm	75mm	60mm
Memphis	515mm	382mm	615mm	550mm	200mm	75mm	125mm
Nebraska	495mm	382mm	605mm	550mm	200mm	75mm	125mm
Phantom	506mm	382mm	602mm	550mm	105mm	75mm	30mm
Staton	505mm	382mm	615mm	550mm	200mm	75mm	125mm
Topaz	645mm	382mm	605mm	550mm	135mm	75mm	60mm

INSTALLATION PROCESS



INSTALLATION

Slide in

Amathus
Brooklyn
Colorado
Detroit
Ev4i

Ev4i4
Ev6i
Ev6i4
Iowa
Kepler 22

Nebraska
Phantom
Staton
Topaz

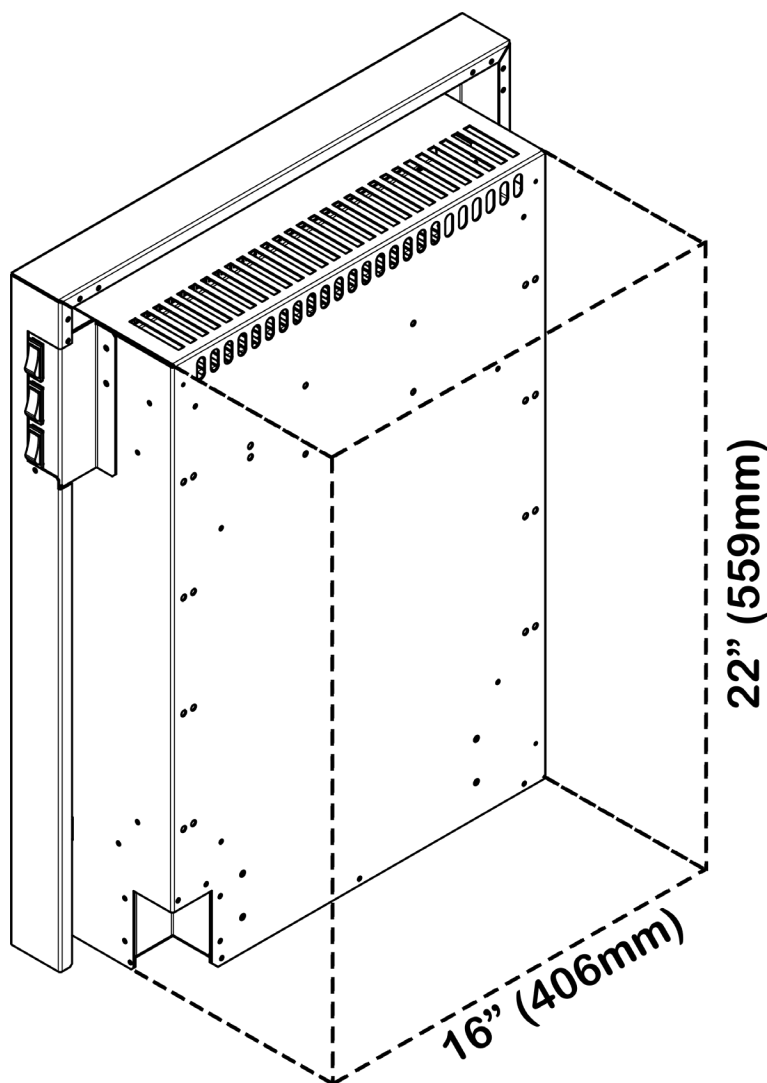
INSTALLATION

All our inset models are designed to be fitted into a standard 16" wide x 22" high opening. Before starting the installation check the dimensions of both the appliance and your opening to ensure that they align well.

Please note, if you are installing into an existing chimney breast it is imperative that the flue is adequately blocked off.

SLIDING IN

Once the dimensions have been checked, attach the electrical lead to the power inlet on the back lower right. Connect the electrical lead to the mains power, then slide the appliance into the prepared opening.



INSTALLATION

Tie Back Models

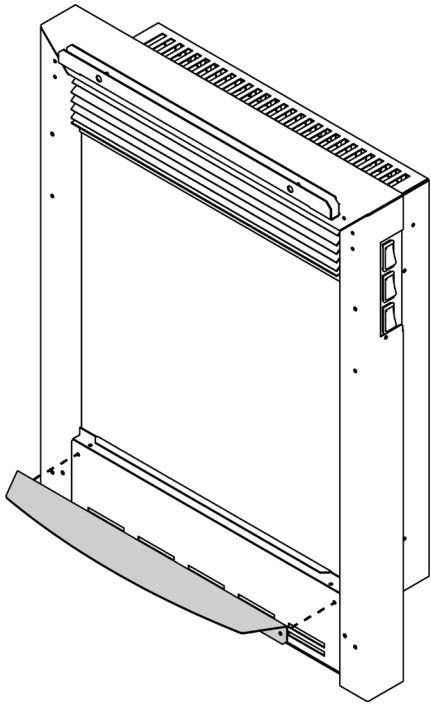
Kansas	Memphis	
--------	---------	--

INSTALLATION

All our inset models are designed to be fitted into a standard 16" wide x 22" high opening. Before starting the installation check the dimensions of both the appliance and your opening to ensure that they align well.

Please note, if you are installing into an existing chimney breast it is imperative that the flue is adequately blocked off.

MEMPHIS INFILL PLATE

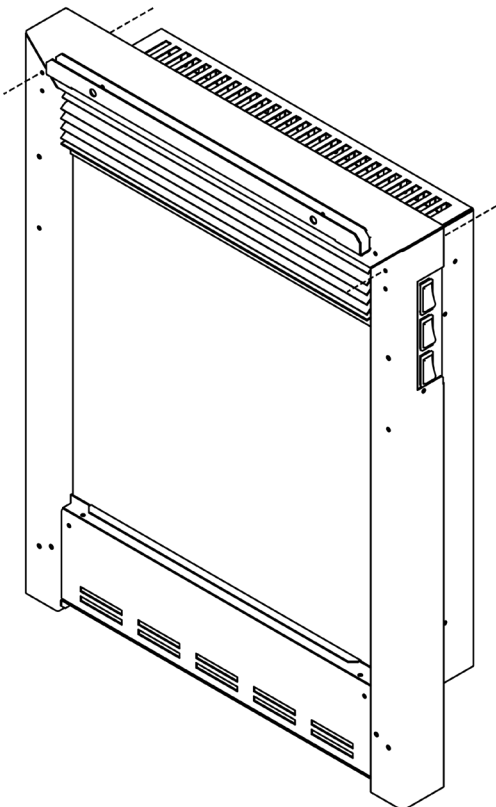


Our Memphis model comes with an infill plate and 2x screws, if you have a Kansas model you can skip to the section below and continue with the installation.

To fit the Infill plate, screw in the two screws to either side of the plate as shown. This lines up with the two screw holes on the front of the appliance.

You can now continue the installation in the below section.

MEMPHIS & KANSAS INSTALLATION



First attach the electrical lead to the power inlet on the back lower right, and plug into the mains power.

Fix the screw eye to the inside of the wall opening.

Then form a loop by threading the cable through one of the holes on the front of the appliance, then through the eye screw, and back through another hole on the appliance. You can use the most conveniently positioned hole on the appliance for your installation.

Now move the appliance into the opening, pulling the cable tight.

Feed the barrel clamps onto the end of the cable, and whilst maintaining tension screw them tight on both sides.

Cut the cable approximately 50mm away from the barrel clamps.

INSTALLATION

With Spacer

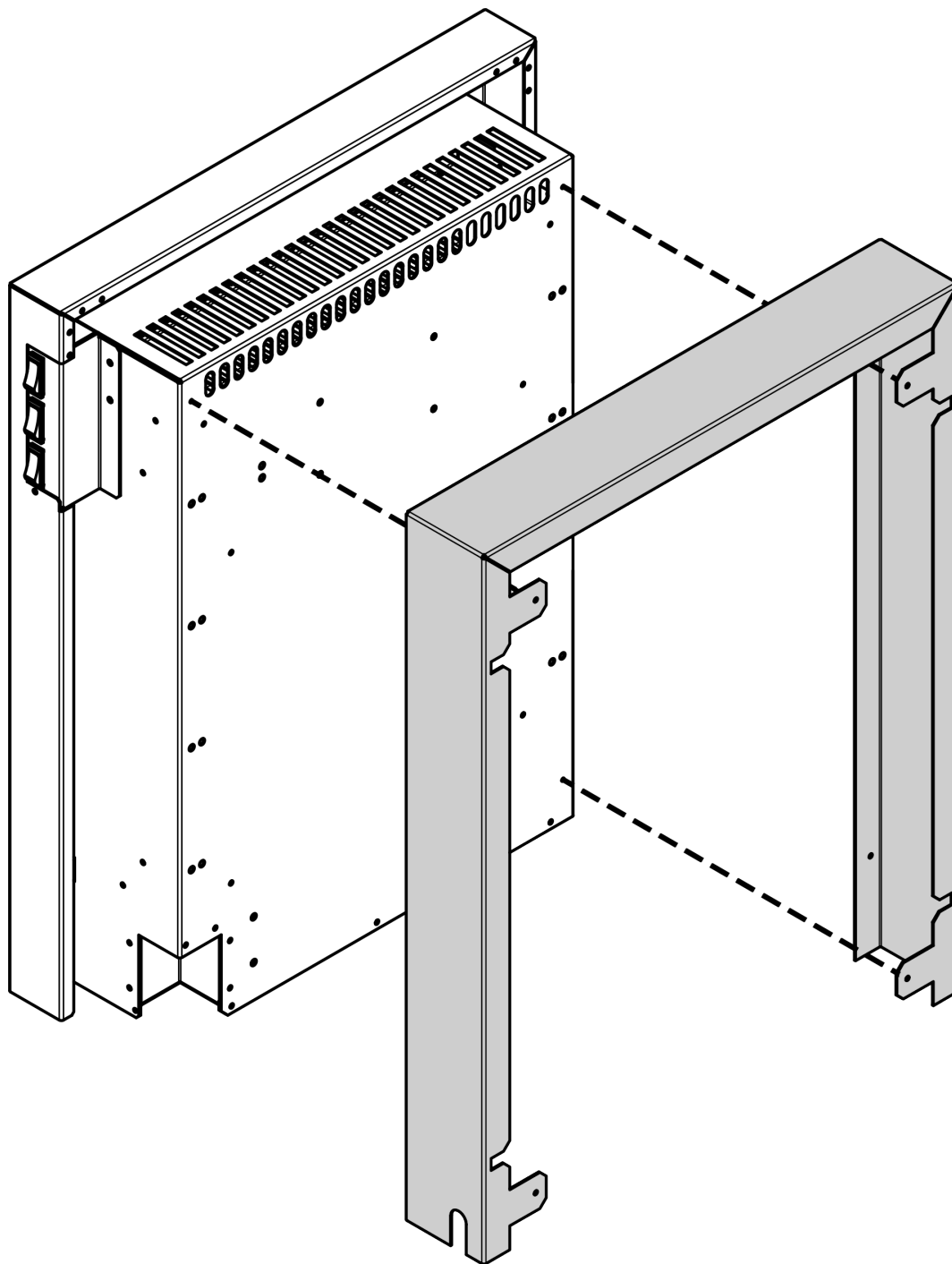
Amathus Brooklyn Colorado	Detroit Iowa Kepler 22	Phantom Staton
---------------------------------	------------------------------	-------------------

INSTALLATION

To convert your appliance to a free-standing unit you can fit an optional spacer.

Before securing the spacer, attach the electrical lead to the inlet at the back bottom corner of the appliance. Once the spacer is fitted it will be more difficult to attach this.

Position the spacer at the back of the appliance and line up the three screw holes on both appliance and spacer. Then screw in your three screws as shown below. The electrical lead can then slot into the semi circular hole, allowing the appliance to sit free-standing on the floor.



INSTALLATION

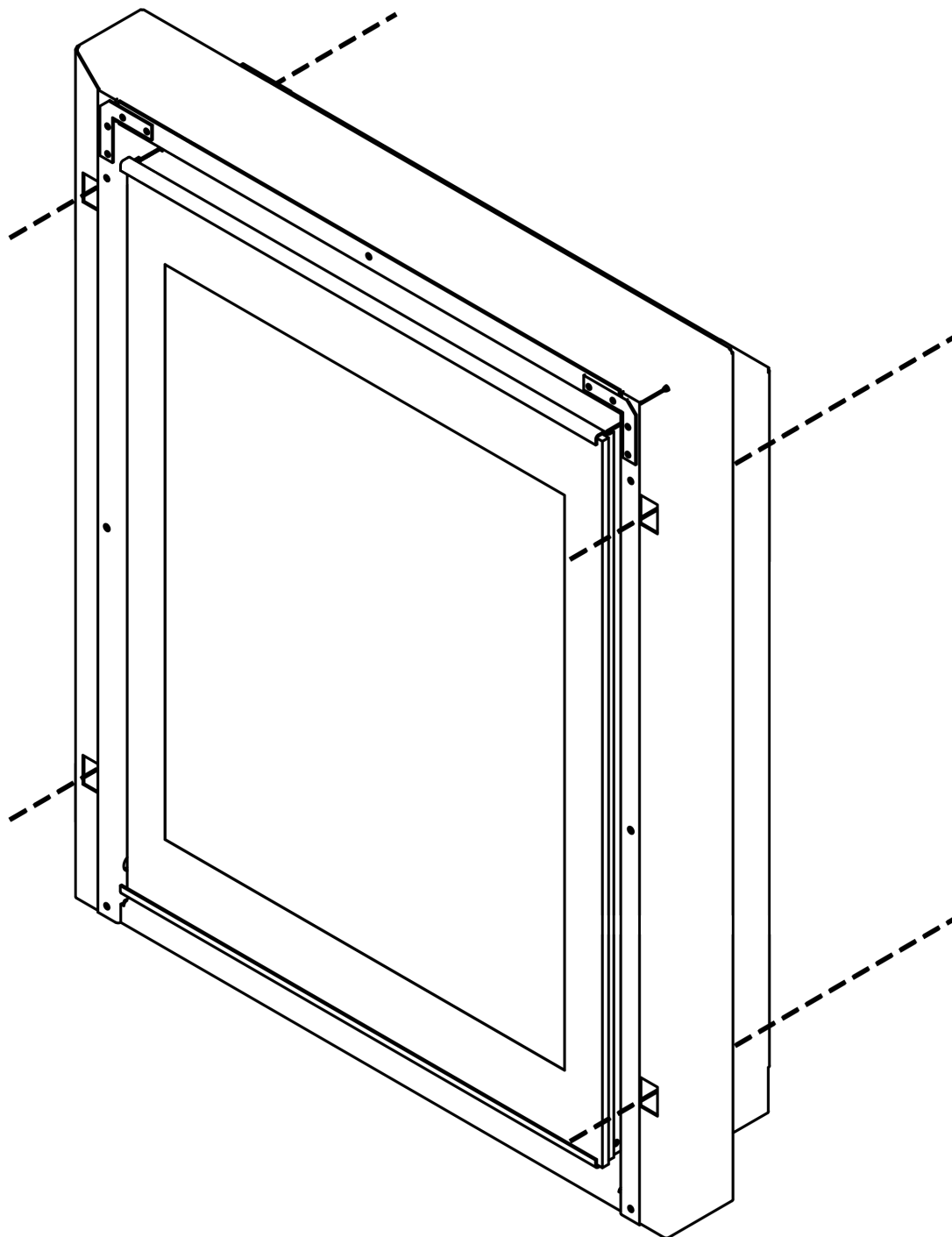
Wall Mounted

Ev4i4	Ev6i4	Topaz
-------	-------	-------

INSTALLATION

All our inset models are designed to be fitted into a standard 16" wide x 22" high opening. Before starting the installation check the dimensions of both the appliance and your opening to ensure that they align well.

Once the measurements are confirmed, plug in the appliance and slide it into the prepared opening. The appliance can then be secured to the wall with the four screw holes as shown below.

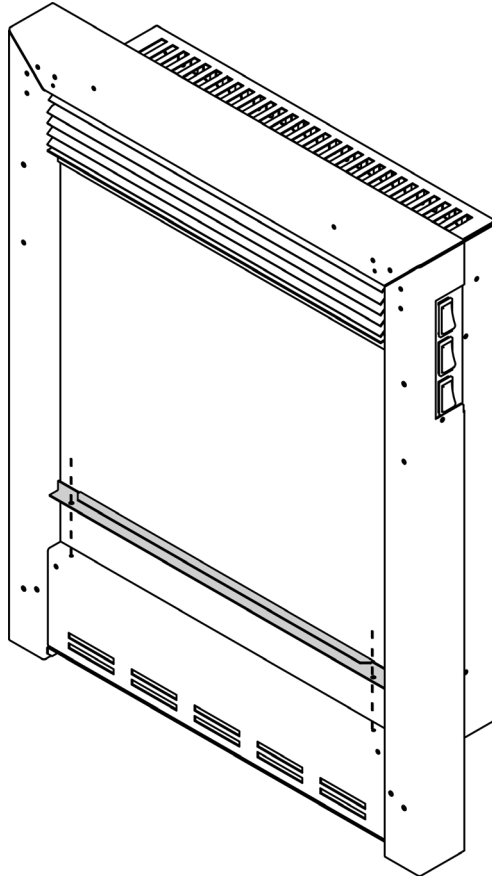


REMOVING THE GLASS

Colorado Detroit Ev4i	Ev4i4 Ev6i Ev6i4	Kepler 22 Memphis Nebraska
-----------------------------	------------------------	----------------------------------

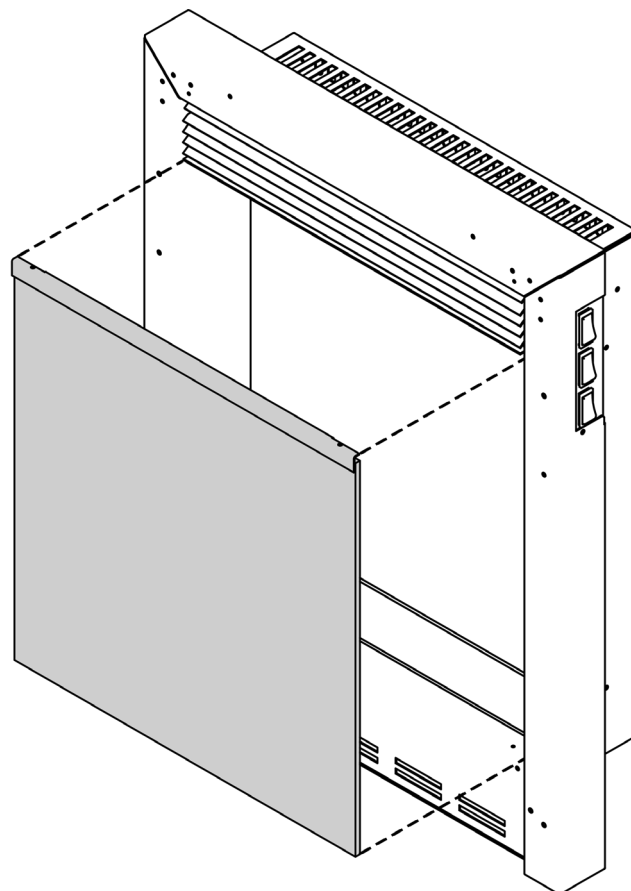
1

Unscrew the two screws, and remove the bottom glass retainer from the appliance.



2

The glass can now be removed from the appliance. To replace the glass, follow the steps in reverse.



FUEL SETS



Logs



White or Beach Pebbles



Logs & Beach Pebbles



Coals

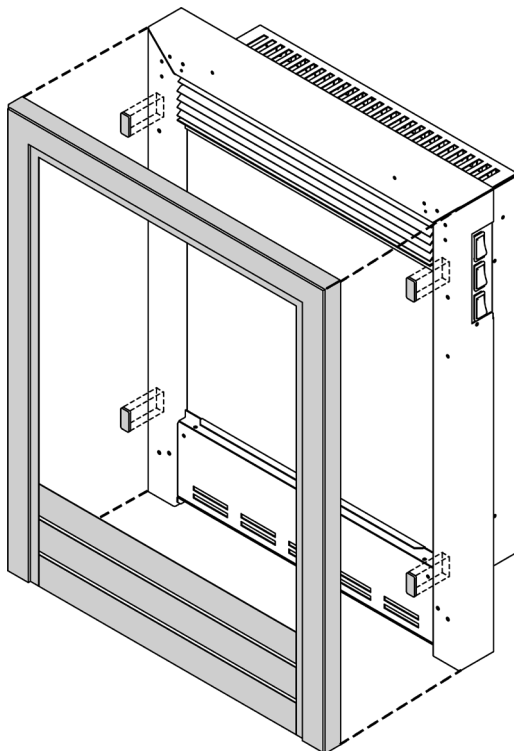
FITTING THE FASCIA

FITTING THE FASCIA

MAGNETS

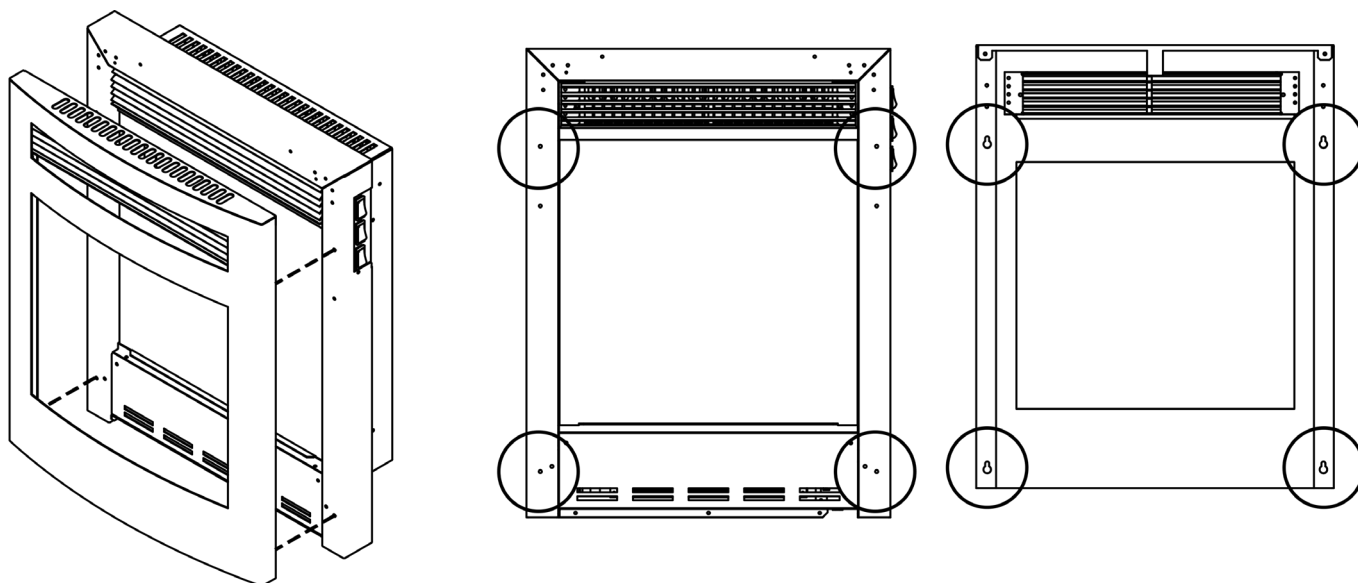
The following models have a fascia attached with magnets;

- Amathus
- Brooklyn
- Colorado
- Ev4i
- Ev4i4
- Ev6i
- Ev6i4
- Iowa
- Kepler 22
- Nebraska
- Phantom
- Staton
- Topaz



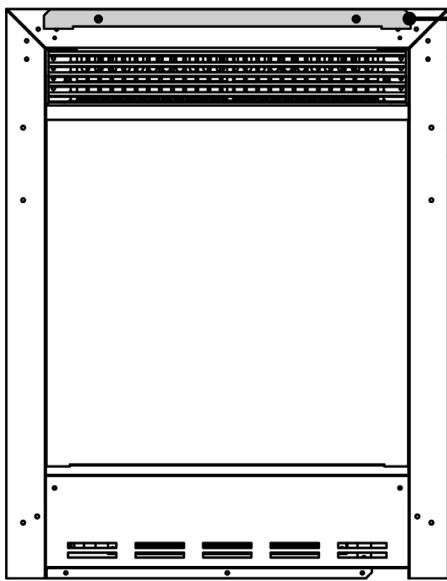
KEYHOLE

The Detroit model has a fascia that is attached by lining up the four screws on the back of the fascia with the four keyholes on the front of the appliance.

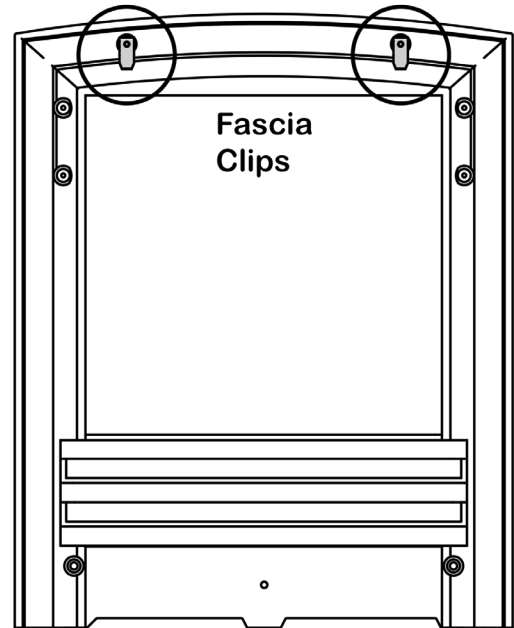


SLOTTED

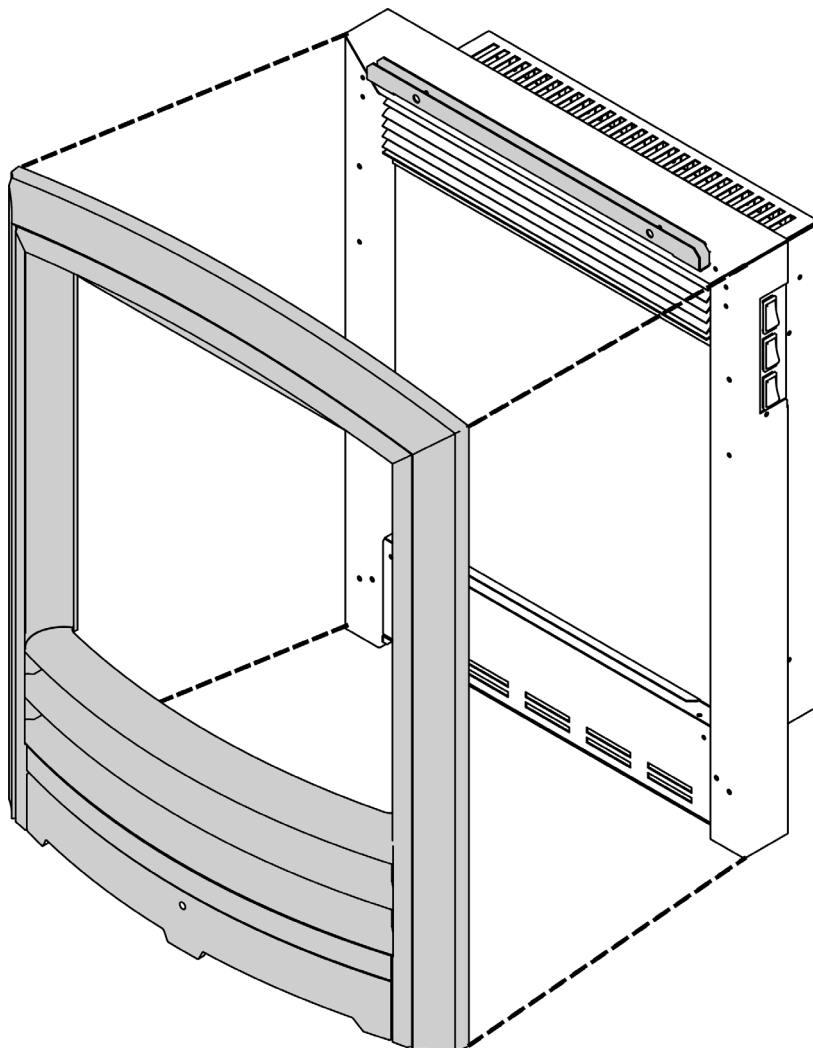
The Detroit and Memphis cast fascia is secured to the front of the appliance with two top mounted clips and a mounting bracket. Line up the two clips with the top of the mounting bracket and slot them down into the bracket.



Fascia
Bracket



Fascia
Clips



TROUBLESHOOTING



Applies to; Amathus / Brooklyn / Phantom

Blower Access & Clean

Scan the QR code to be taken to a video in our maintenance series.



Applies to; Amathus / Brooklyn / Phantom

Heater Access

Scan the QR code to be taken to a video in our maintenance series.



Applies to; Colorado / Detroit / Ev4i / Ev4i4 / Ev6i / Ev6i4 / Iowa / Kansas / Kepler 22 / Memphis / Nebraska / Staton / Topaz

Colorado Blower Access & Clean

Scan the QR code to be taken to a video in our maintenance series.

REPORT A FAULT

If you have any difficulties or problems with your appliance then please get in touch so that we can assist you. Please scan the QR code to be taken to our website's Report a Fault page, we will then be in touch with you shortly.



CK Fires Ltd / Evonic Fires

**1, Evonic House, Clifford Park, Clifford Lane,
Stratford-on-Avon, CV37 8HW**

**Tel: +44 (0)1789 263868 Fax: +44 (0)1789 293080
Email: sales@evonicfires.co.uk**

**Follow us on:
Instagram | Facebook | Twitter | LinkedIn
[@evonicfires](#)**