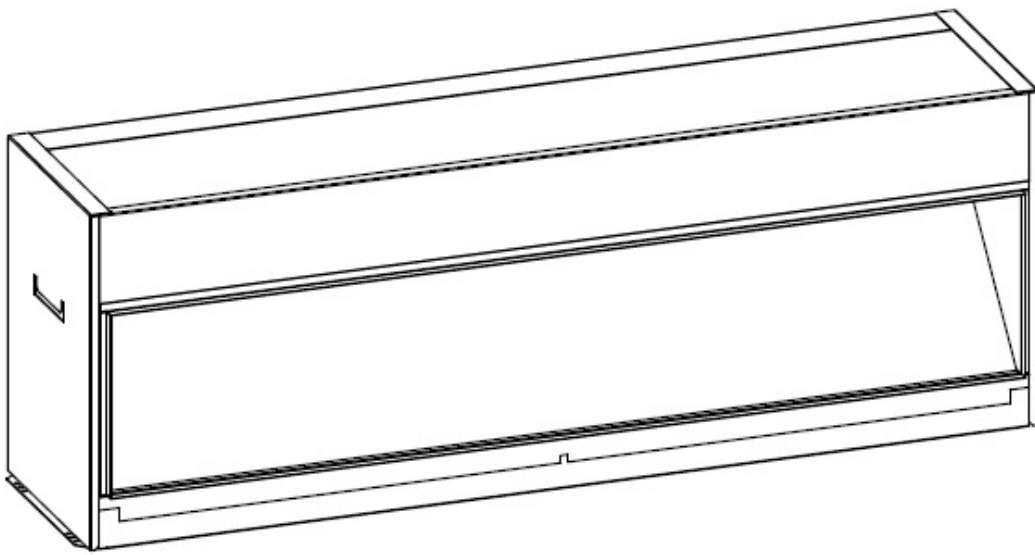
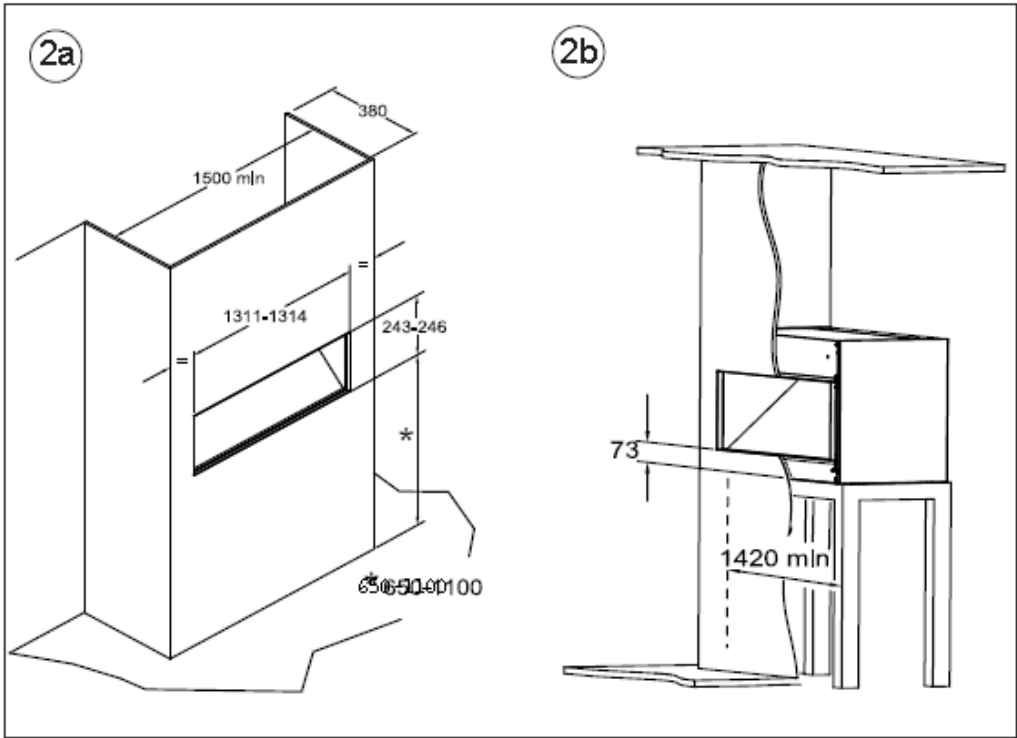
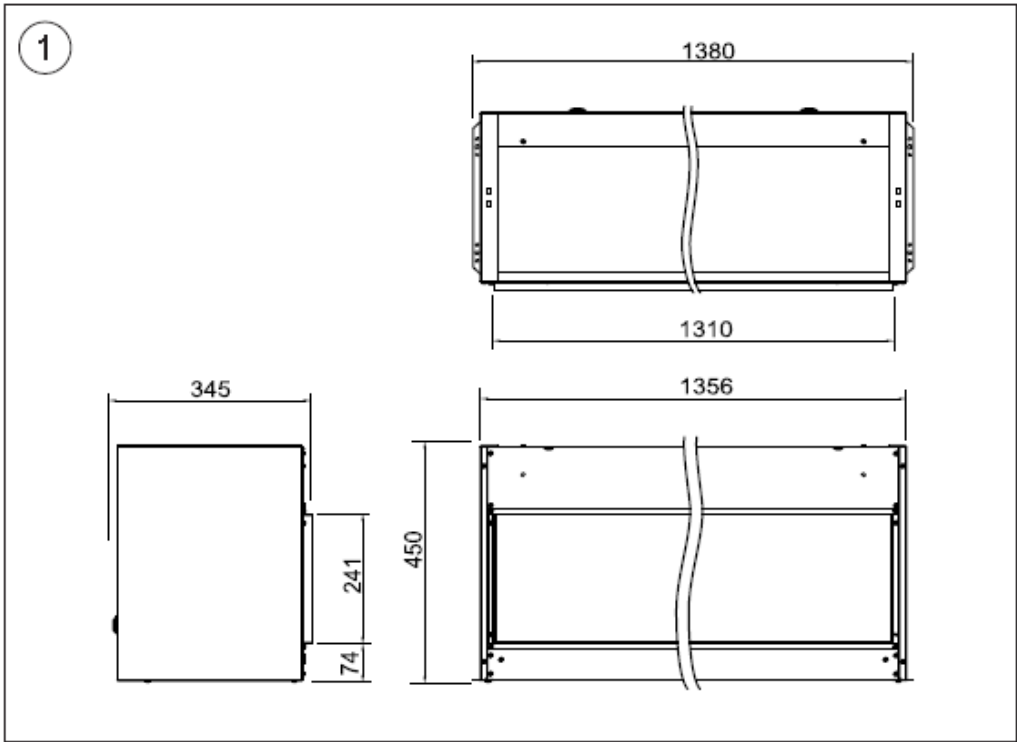


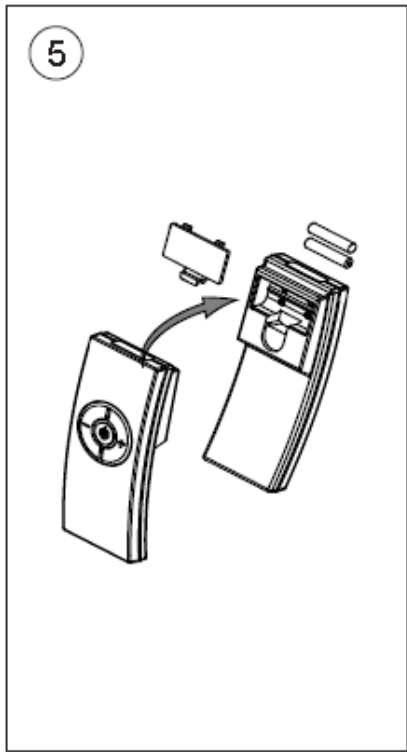
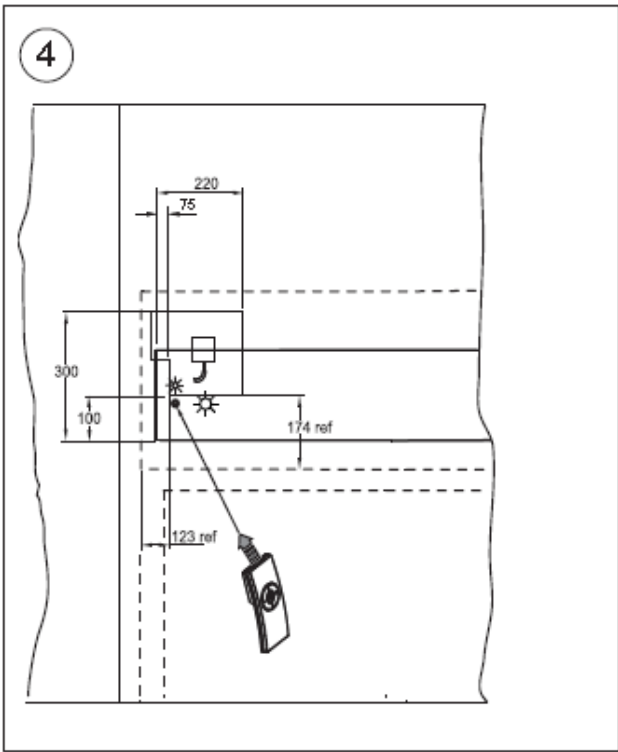
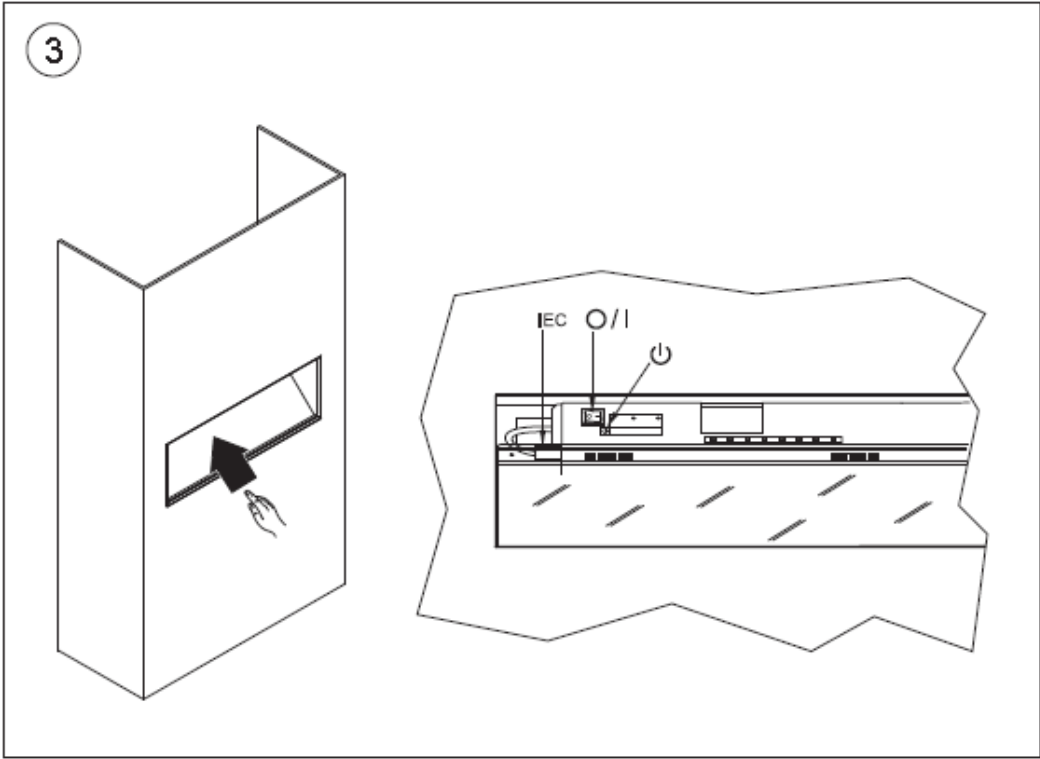
DCDimplex®



Model: PGF20

UK





IMPORTANT: THESE INSTRUCTIONS SHOULD BE READ CAREFULLY AND RETAINED FOR FUTURE REFERENCE

Important Safety Advice

When using electrical appliances, basic precautions should be followed to reduce the risk of fire, electric shock, and injury to persons, including the following:

If the appliance is damaged, check immediately with the supplier before installation and operation.

Do not use this appliance in the immediate surroundings of a bath, shower or swimming pool.

Means for disconnection must be incorporated in the fixed wiring in accordance with the wiring regulations.

Do not use outdoors.

In the event of a fault switch off the appliance.

Switch off the appliance when not required for long periods.

This appliance is not intended for use by children or other persons without assistance or supervision if their physical, sensory or mental capabilities prevent them from using it safely. Children should be supervised to ensure that they do not play with the appliance.

If the supply cord is damaged, it must be replaced by a special cord or assembly available from the manufacturer or its service agent.

Warning - No naked flame sources, such as candles, should be placed on this apparatus.

Warning - The appliance shall not be exposed to dripping or splashing and that no objects filled with liquid, such as vases, shall be placed on the apparatus.

Warning - this appliance is of Class I construction and must be connected to a mains outlet with protective earthing connection.

Electrical

WARNING—THIS APPLIANCE MUST BE EARTHED

This appliance must be used on an AC ~ supply only and the voltage marked on the appliance must correspond to the supply voltage.

Do not switch the appliance on until properly installed. Please read all the safety warnings and operating instructions.

General

Unpack the appliance carefully and retain the packaging for possible future use, in the event of moving or returning the appliance to your supplier.

Contents of Carton

- Opti-V Fire
- Remote control and batteries (AAA type)

Product Features.

Sound volume control.

Provision for manual operation.

Styled remote control with easy to follow visual icons.

Red indication of standby mode.

Easy to maintain in pristine condition.

Installation

Warning.

Do not connect the appliance until properly fixed to a secure base and the instruction leaflet is read fully.

At installation of the appliance, care must be taken not to damage any cables that may be concealed in the wall.

Please be careful while drilling the holes.

These models are designed to be permanently fixed - see Fig.2a and 2b for recommended fixing dimensions from floor to underside of the appliance for optimum viewing of the display screen. Any dimensions indicated * are recommended dimensions. The outline of the chassis and the position of the electrical socket are shown as dotted outlines in Fig.4. Please consult a qualified electrician for appropriate wiring requirements.

Operation: -

The power 'ON' switch ('O') see Fig.3) must first be switched 'I' to operate the appliance.


The 'Opti-V' logo will appear for about 3 seconds before the flame picture starts.

Note: The user may notice a blank screen for approximately 5 seconds, every 30 minutes. This is normal and should not be a cause for concern.

Manual Control Operation: -

The manual controls for the screen are located at the inner top left hand side of the appliance above the glass.(see Fig.3).

The appliance Power switch ('O') see Fig.3) may be used to switch the appliance off ('O') when it is not required, for example, overnight or for long periods, to avoid energy wastage.

The standby button () is located just below the mains switch.

Remote Control Operation: -

The remote control may be operated once the appliance is switched 'I' ('I' see Fig.3).

Aim the remote control at the screen (I.R. sensor is indicated in Fig.4).

The audio volume may be adjusted up or down by pressing the volume control buttons (+ and -) until the level required

The button functions are identified as described below;

 Standby

- Volume down

+ Volume up

A red light will indicate when the appliance is in standby mode. (See Fig.4)

Remote Control - Battery Information :-

Note: The remote control is packed separately in the carton.

1. Slide open the battery cover on the back of the remote transmitter.
2. Install the AAA batteries into the remote control (see Fig. 5).

Maintenance

WARNING: ALWAYS DISCONNECT FROM THE POWER SUPPLY BEFORE ATTEMPTING ANY MAINTENANCE.

Cleaning

For general cleaning use a soft clean duster – never use abrasive cleaners. The glass screen should be cleaned carefully with a soft cloth. DO NOT use proprietary glass cleaners.

Recycling

For electrical products sold within the European Community.



At the end of the electrical products useful life it should not be disposed of with household waste. Please recycle where facilities exist. Check with your Local Authority or retailer for recycling advice in your country.

Warranty and Service